

Kit Includes: 30" LED Light Bar, Mounting Hardware, Deutsch DT Connector



Features

- Advanced TIR (total internal reflection) optics
- High intensity 6000K Lumileds LEDs
- Slim design, for easy mounting
- Durable aluminum extrusion
- Pressure equalizing vent to eliminate condensation

Specifications

- Input Voltage: 9-24VDC
- Input Power: 137.2 watts
- Current Draw: 9.8 amps @ 14V
- Operating Temperature: -40° to 185°F
- Weight: 5.3 lbs

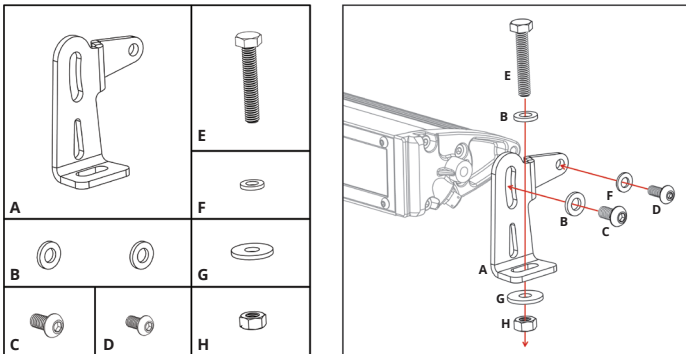
Wiring

Connect the red wire to positive supply, and black wire to negative or common ground.

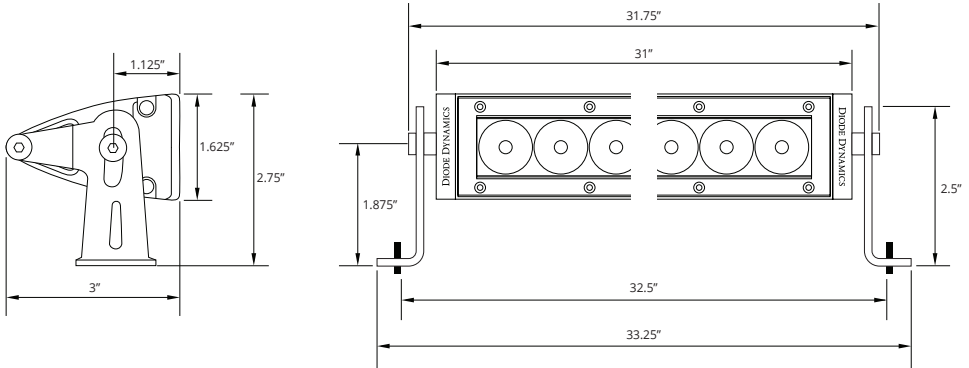
Please note: This auxiliary lamp draws high current, and requires adequately-sized wiring for safe operation. If you are not using a Diode Dynamics wire harness, use wire sized 16 AWG or larger. Please be mindful of current ratings and wire size, especially if splitting power signals to multiple light bars, or using switches. If you have any questions, please feel free to contact us for assistance.

Mounting

If you wish, you may use the included hardware to mount your light bar. A number of fasteners are included, and can be used as you see fit. The most common mounting style is shown below. Stage Series Light Bars are also compatible with most standard mounting brackets on the market. Reference the dimensions on opposite side to determine the best mounting solution for your application.

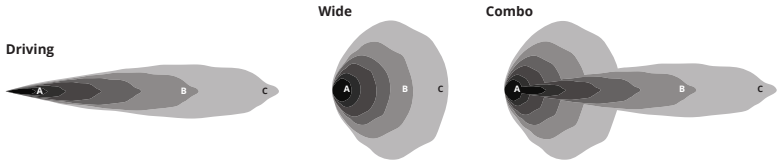


Dimensions



Output

A - lux at 10 meters
B - Distance (m) with 1 lux
C - Distance (m) with .25 lux



SS ₃₀ 30" Light Bar		A	B	C		
Lens Color/Optics	cd*	Illuminance (lx)			Measured Output	Output Color
White Driving	257,500	2,575	507	1,015	7,000 lumens	6000K White
White Wide	64,375	644	254	507	7,000 lumens	6000K White
White Combo	197,500	1,975	444	889	7,000 lumens	6000K White
Amber Driving	141,625	1,416	376	753	4,000 lumens	2000K Amber
Amber Wide	38,625	386	197	393	4,000 lumens	2000K Amber
Amber Combo	91,350	914	302	604	4,000 lumens	2000K Amber

* PEAK BEAM INTENSITY

Please contact **Diode Dynamics** should you have any questions about the installation or wiring process, at **314-205-3033** (9a-5p CST) or **contact@diodedynamics.com**.