

**Kit Includes:** 12" LED Light Bar, Mounting Hardware, Deutsch DT Connector



## Features

- Advanced TIR (total internal reflection) optics
- High intensity 6000K Lumileds LEDs
- Slim design, for easy mounting
- Durable aluminum extrusion
- Pressure equalizing vent to eliminate condensation

## Specifications

- Input Voltage: 9-24VDC
- Input Power: 58.8 watts
- Current Draw: 4.2 amps @ 14V
- Operating Temperature: -40° to 185°F
- Weight: 2.2 lbs

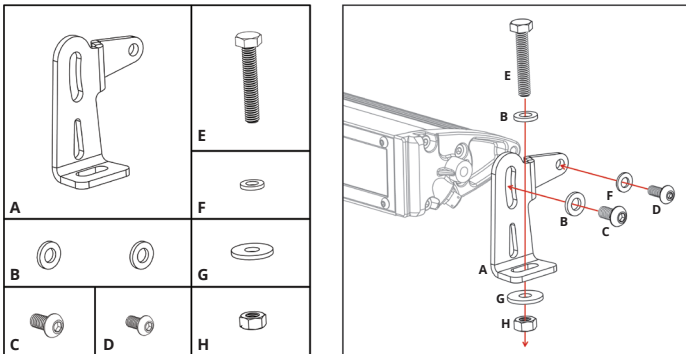
## Wiring

Connect the red wire to positive supply, and black wire to negative or common ground.

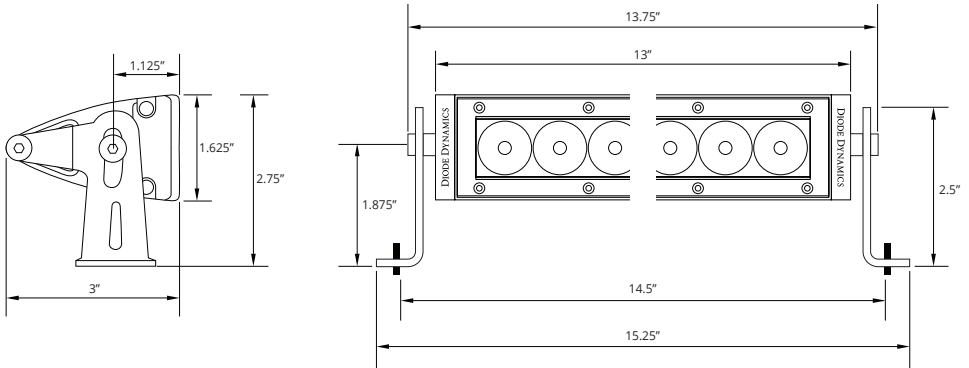
**Please note:** This auxiliary lamp draws high current, and requires adequately-sized wiring for safe operation. If you are not using a Diode Dynamics wire harness, use wire sized 16 AWG or larger. Please be mindful of current ratings and wire size, especially if splitting power signals to multiple light bars, or using switches. If you have any questions, please feel free to contact us for assistance.

## Mounting

If you wish, you may use the included hardware to mount your light bar. A number of fasteners are included, and can be used as you see fit. The most common mounting style is shown below. Stage Series Light Bars are also compatible with most standard mounting brackets on the market. Reference the dimensions on opposite side to determine the best mounting solution for your application.

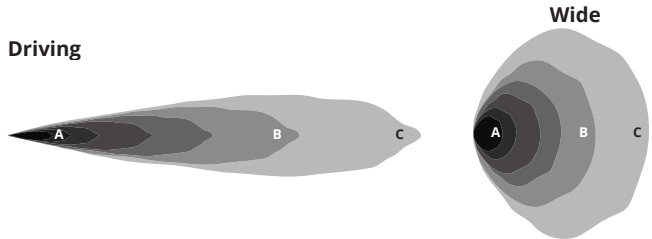


## Dimensions



## Output

- A - lux at 10 meters
- B - Distance (m) with 1 lux
- C - Distance (m) with .25 lux



SS <sub>12</sub> 12" Light		A	B	C		
Lens Color/Optics	cd*	Illuminance (lx)			Measured Output	Output Color
White Driving	105,000	1,050	324	648	2,800 lumens	6000K White
White Wide	26,250	263	162	324	2,800 lumens	6000K White
Amber Driving	57,750	578	240	481	1,600 lumens	2000K Amber
Amber Wide	15,750	158	125	251	1,600 lumens	2000K Amber

\* PEAK BEAM INTENSITY

Please contact **Diode Dynamics** should you have any questions about the installation or wiring process, at **314-205-3033** (9a-5p CST) or **contact@diodedynamics.com**.