

4

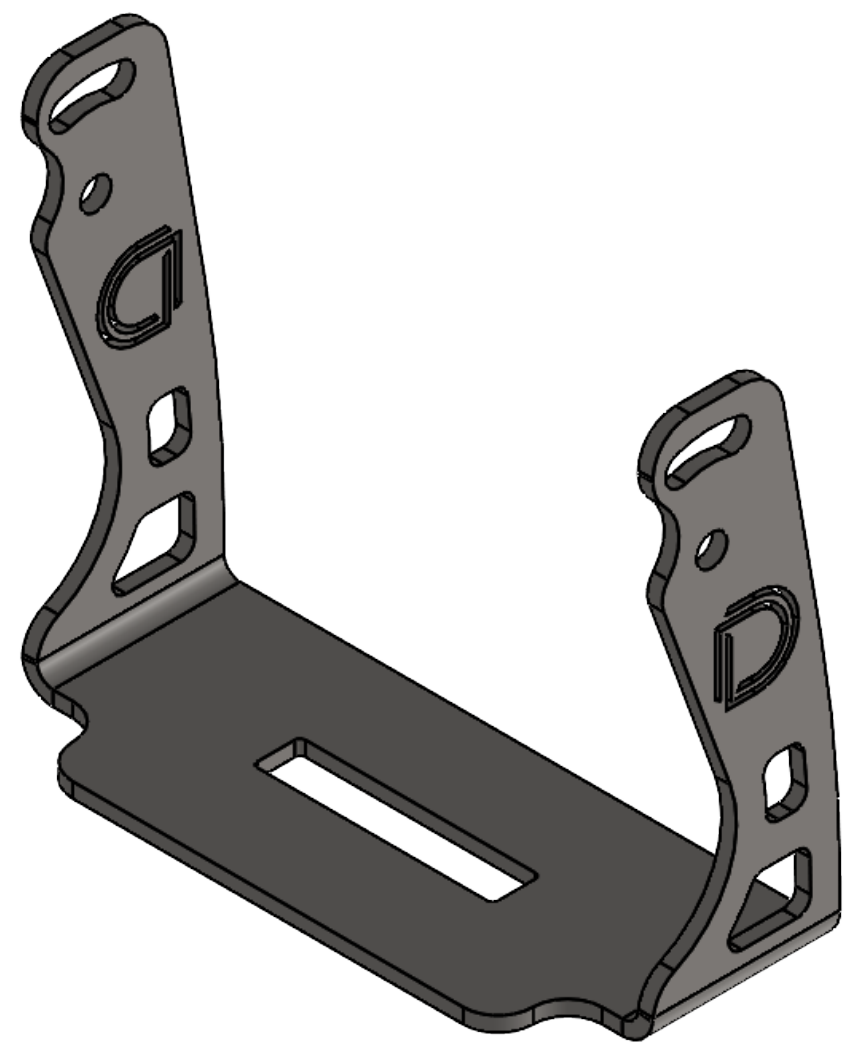
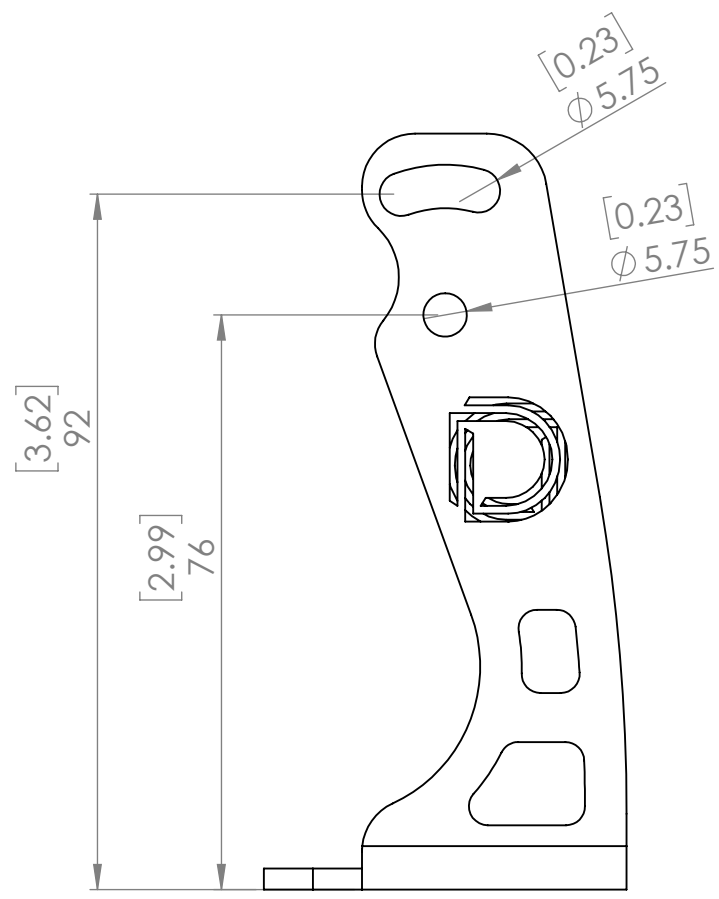
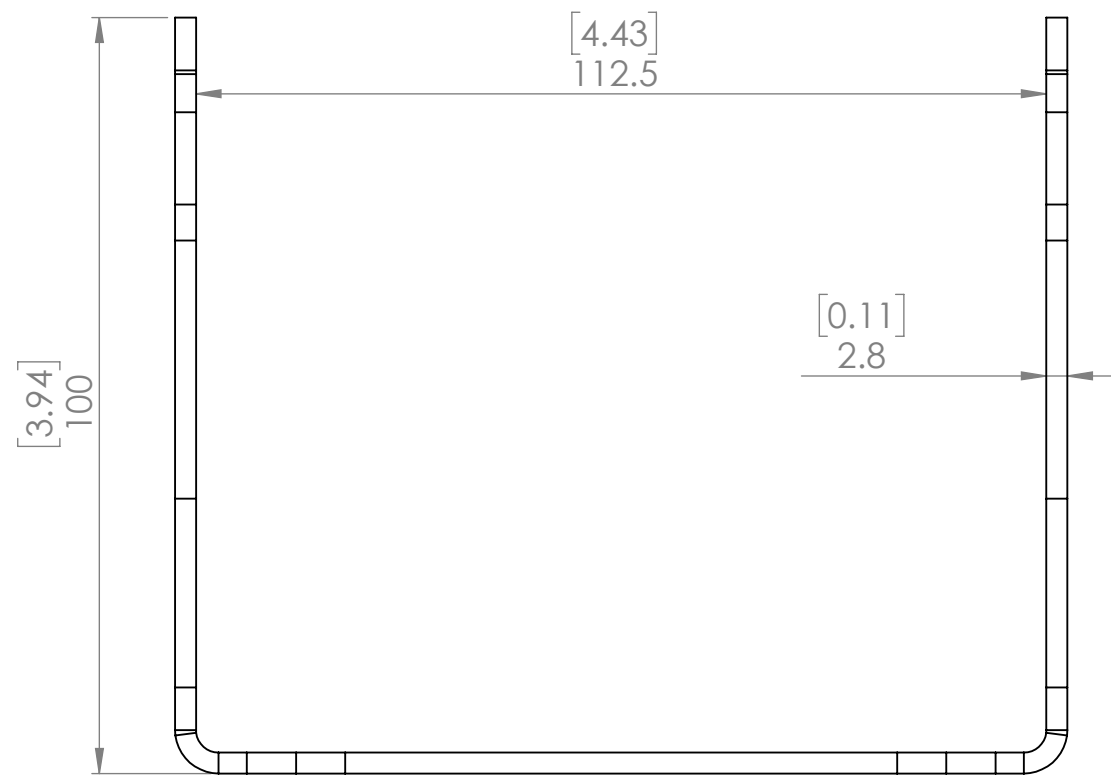
3

2

1

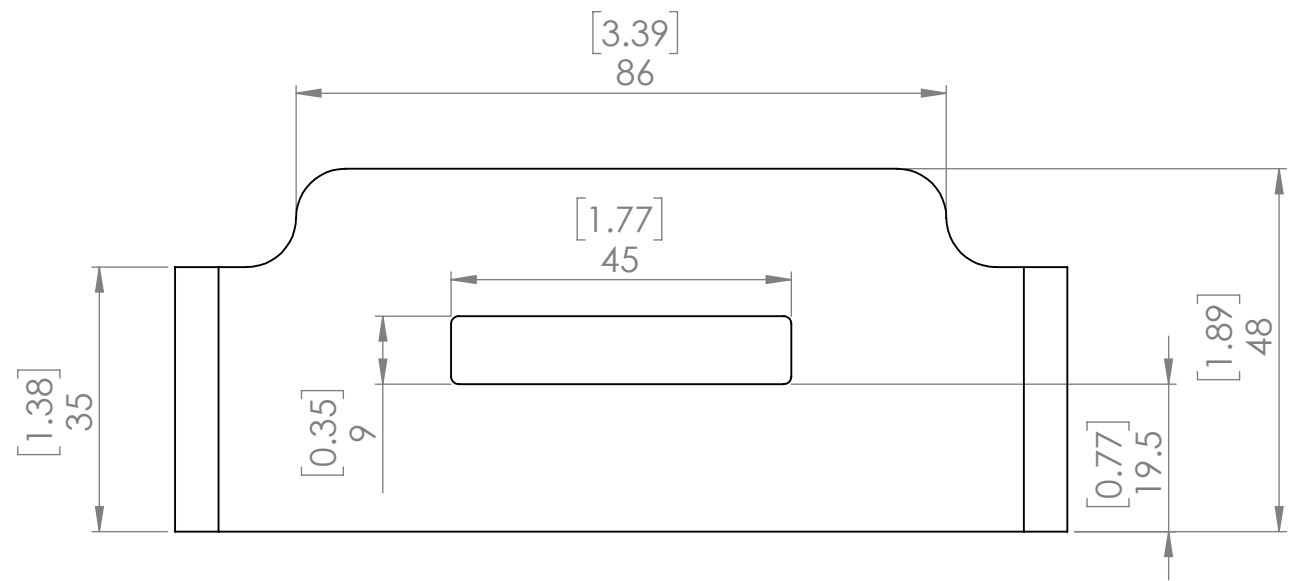
B

B



A

A



NOTES:

- 1. DEBURR ALL SHARP EDGES AS NEEDED
- 2. DRAWING NOT TO SCALE, REFER TO 3D MODEL FOR MBD

PROPRIETARY AND CONFIDENTIAL <small>THE INFORMATION CONTAINED IN THIS DRAWING IS THE SOLE PROPERTY OF DIODE DYNAMICS, LLC. ANY REPRODUCTION IN PART OR AS A WHOLE WITHOUT THE WRITTEN PERMISSION OF DIODE DYNAMICS, LLC. IS PROHIBITED.</small>	UNLESS OTHERWISE SPECIFIED: DIMENSIONS ARE IN MILLIMETERS		DIODE DYNAMICS ENGINEERING				
	TOLERANCES: .xxx ± .025 .xx ± .05 .x ± .1 ANG ± 1		ENGINEER:	TITLE: SS5 WORKLIGHT UNIVERSAL BRACKET			
	MATERIAL: 18-8 STAINLESS STEEL		T. KORBLUM	SIZE	PROJ. ID	DWG. NO.	REV
	FINISH: BLACK, POWDERCOATING		T. DOBBINS	B		HM0151	B
THIRD ANGLE PROJECTION 		DO NOT SCALE DRAWING	DATE: 11/12/2021	SCALE: 1:1	SHEET 1 OF 1		

4

3

2

1