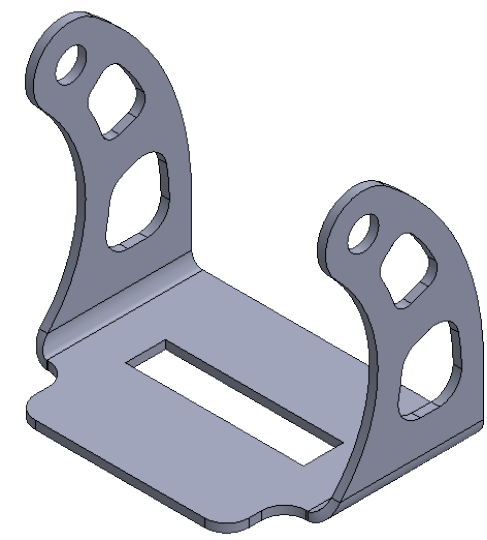
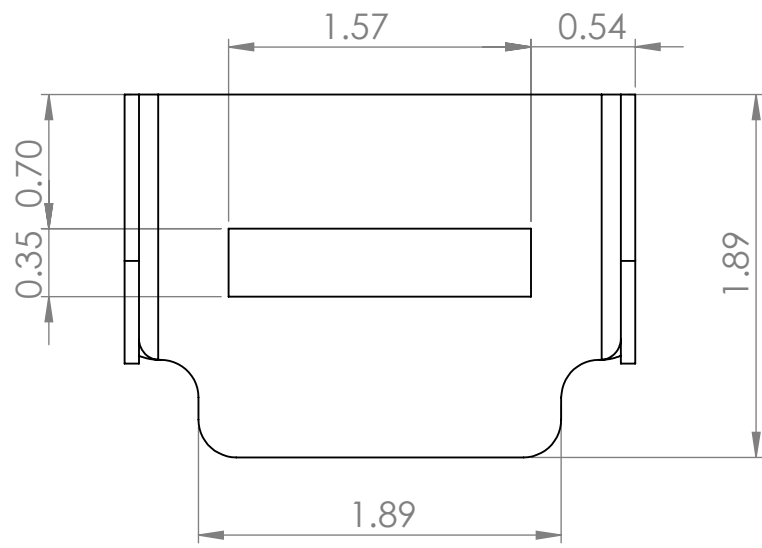


3

2

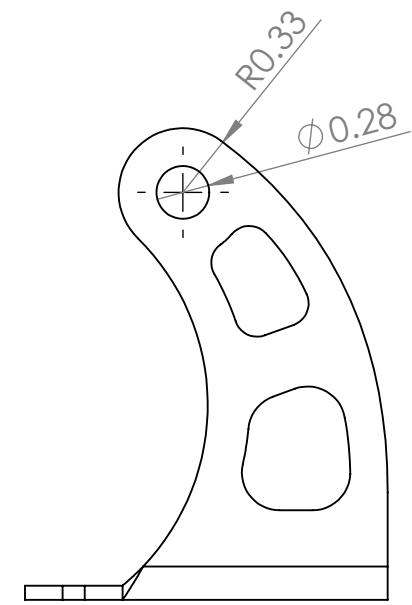
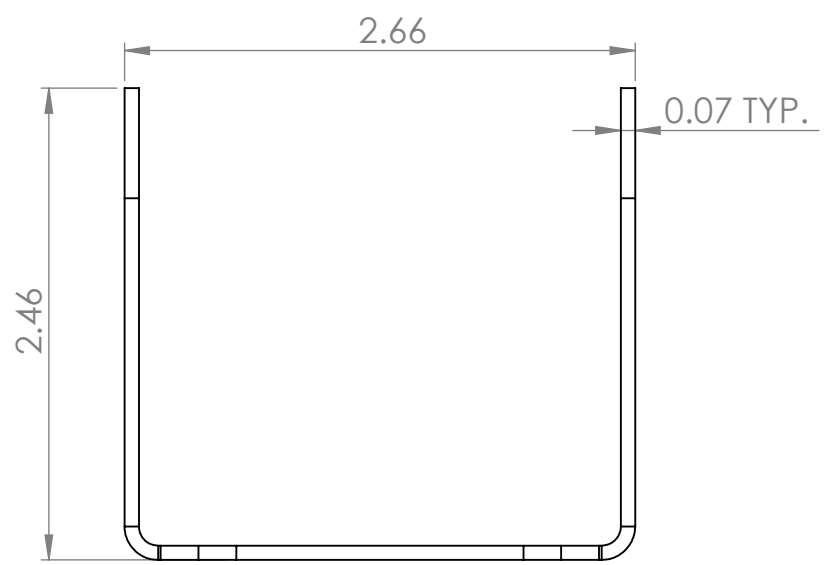
1

C



C

B



B

A

A

Note: All Dimension in INCHES(in.)

TITLE: Worklight Bracket	
REVISION: D	PART #: HM0070
REV DATE: 10/21/19	ENGINEER: S. TANIKONDA
SHEET: 01 OF 01	REVIEWED: T. DOBBINS



3

2

1