

Kit Includes: 50" LED Light Bar, Mounting Hardware, Deutsch DT Connector



Features

- Advanced TIR (total internal reflection) optics
- High intensity 6000K Lumileds LEDs
- Slim design, for easy mounting
- Durable aluminum extrusion
- Pressure equalizing vent to eliminate condensation

Specifications

- Input Voltage: 9-24VDC
- Input Power: 259 watts
- Current Draw: 18.5 amps @ 14V
- Operating Temperature: -40° to 185°F
- Weight: 8.2 lbs

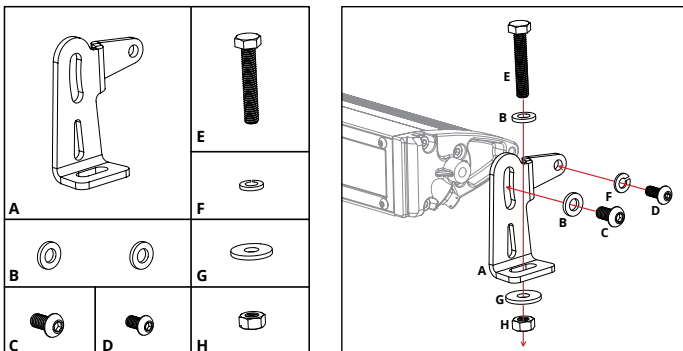
Wiring

Connect the red wire to positive supply, and black wire to negative or common ground.

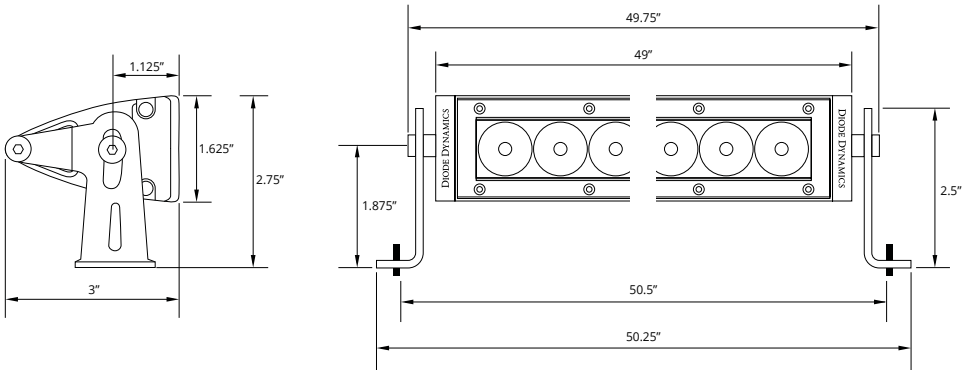
Please note: This auxiliary lamp draws high current, and requires adequately-sized wiring for safe operation. If you are not using a Diode Dynamics wire harness, use wire sized 16 AWG or larger. If you are using a Diode Dynamics wire harness on a 24V system, you will need to replace the relay with a 24V relay. Please be mindful of current ratings and wire size, especially if splitting power signals to multiple light bars, or using switches. If you have any questions, please feel free to contact us for assistance.

Mounting

If you wish, you may use the included hardware to mount your light bar. A number of fasteners are included, and can be used as you see fit. The most common mounting style is shown below. Stage Series Light Bars are also compatible with most standard mounting brackets on the market. Reference the dimensions on opposite side to determine the best mounting solution for your application.

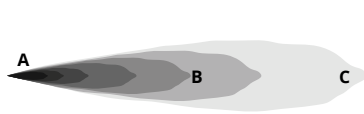


Dimensions



Output

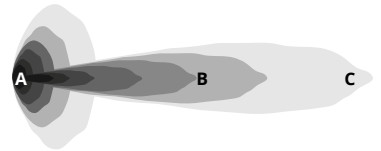
Driving



Flood



Combo



- A - lux at 10 meters
- B - Distance (m) with 1 lux
- C - Distance (m) with .25 lux

SS ₅₀ 50" Light Bar		A	B	C		
Lens Color/Optics	cd*	Illuminance (lx)	Distance (m)		Measured Output	Output Color
White Driving	440,000	4,400	663	1,330	11,200 lumens	6000K White
White Flood	16,000	160	126	250	11,200 lumens	6000K White
White Combo	325,000	3,340	570	1,140	11,200 lumens	6000K White
Amber Driving	264,000	2,640	514	1,030	6,400 lumens	2000K Amber
Amber Flood	9,600	96	98	200	6,400 lumens	2000K Amber
Amber Combo	245,800	2,004	496	990	6,400 lumens	2000K Amber

* PEAK BEAM INTENSITY

Please contact **Diode Dynamics** should you have any questions about the installation or wiring process, at **314-205-3033** (10a-5p CST) or **contact@diodedynamics.com**.

This installation guide is for the following SKU:

DD5021 SS50 White Driving Light Bar
DD5035 SS50 White Combo Light Bar
DD6039 SS50 White Flood Light Bar

DD5043 SS50 Amber Driving Light Bar
DD5057 SS50 Amber Combo Light Bar
DD6047 SS50 Amber Flood Light Bar