

**Kit Includes:** 42" LED Light Bar, Mounting Hardware, Deutsch DT Connector



## Features

- Advanced TIR (total internal reflection) optics
- High intensity 6000K Lumileds LEDs
- Slim design, for easy mounting
- Durable aluminum extrusion
- Pressure equalizing vent to eliminate condensation

## Specifications

- Input Voltage: 9-24VDC
- Input Power: 224 watts
- Current Draw: 16 amps @ 14V
- Operating Temperature: -40° to 185°F
- Weight: 7.0 lbs

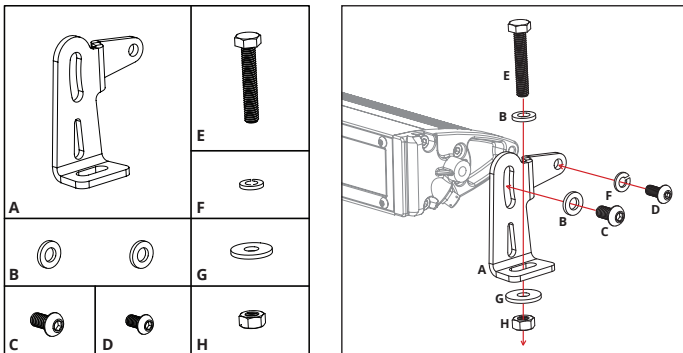
## Wiring

Connect the red wire to positive supply, and black wire to negative or common ground.

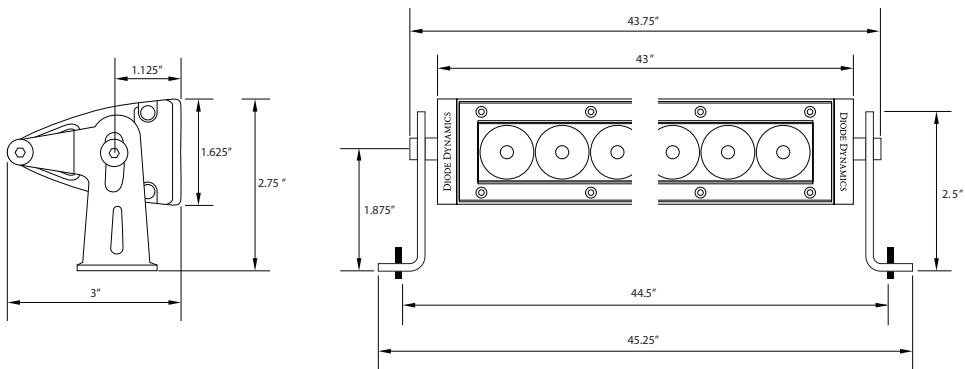
**Please note:** This auxiliary lamp draws high current, and requires adequately-sized wiring for safe operation. If you are not using a Diode Dynamics wire harness, use wire sized 16 AWG or larger. Please be mindful of current ratings and wire size, especially if splitting power signals to multiple light bars, or using switches. If you have any questions, please feel free to contact us for assistance.

## Mounting

If you wish, you may use the included hardware to mount your light bar. A number of fasteners are included, and can be used as you see fit. The most common mounting style is shown below. Stage Series Light Bars are also compatible with most standard mounting brackets on the market. Reference the dimensions on opposite side to determine the best mounting solution for your application.



## Dimensions

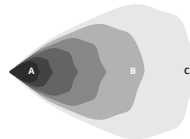


## Output

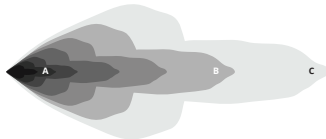
### Driving



### Flood



### Combo



- A - lux at 10 meters  
 B - Distance (m) with 1 lux  
 C - Distance (m) with .25 lux

SS <sub>42</sub> 42" Light Bar		A	B	C		
Lens Color/Optics	cd*	Illuminance (lx)			Measured Output	Output Color
White Driving	385,000	3,850	620	1,240	9,800 lumens	6000K White
White Flood	14,000	140	118	240	9,800 lumens	6000K White
White Combo	301,000	2,790	549	1,100	9,800 lumens	6000K White
Amber Driving	231,000	2,310	481	960	5,600 lumens	2000K Amber
Amber Flood	8,400	84	92	180	5,600 lumens	2000K Amber
Amber Combo	179,800	1,674	424	850	5,600 lumens	2000K Amber

\* PEAK BEAM INTENSITY

Please contact **Diode Dynamics** should you have any questions about the installation or wiring process, at **314-205-3033** (9a-5p CST) or **contact@diodedynamics.com**.

**This installation guide is for the following SKU:**

**DD5020** SS42 White Driving Light Bar  
**DD5034** SS42 White Combo Light Bar  
**DD6038** SS42 White Flood Light Bar

**DD5042** SS42 Amber Driving Light Bar  
**DD5056** SS42 Amber Combo Light Bar  
**DD6046** SS42 Amber Flood Light Bar