

Kit Includes: 30" LED Light Bar, Mounting Hardware, Deutsch DT Connector



Features

- Advanced TIR (total internal reflection) optics
- High intensity 6000K Lumileds LEDs
- Slim design, for easy mounting
- Durable aluminum extrusion
- Pressure equalizing vent to eliminate condensation

Specifications

- Input Voltage: 9-24VDC
- Input Power: 137.2 watts
- Current Draw: 9.8 amps @ 14V
- Operating Temperature: -40° to 185°F
- Weight: 5.3 lbs

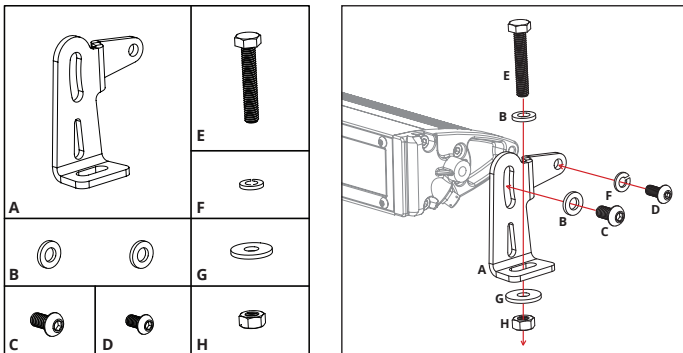
Wiring

Connect the red wire to positive supply, and black wire to negative or common ground.

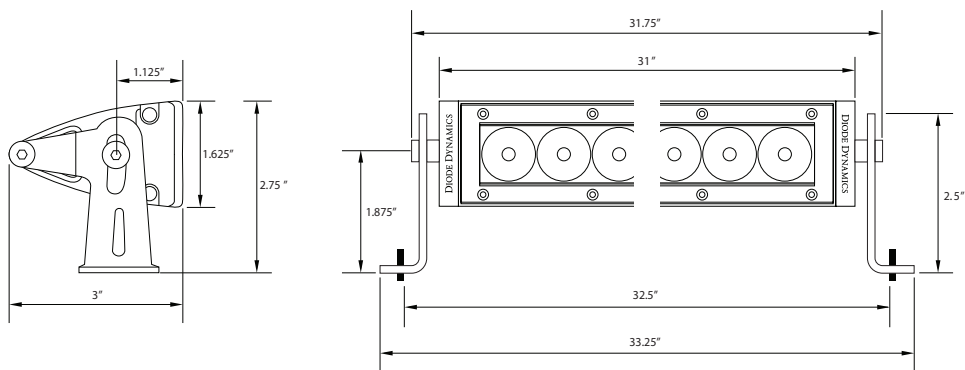
Please note: This auxiliary lamp draws high current, and requires adequately-sized wiring for safe operation. If you are not using a Diode Dynamics wire harness, use wire sized 16 AWG or larger. Please be mindful of current ratings and wire size, especially if splitting power signals to multiple light bars, or using switches. If you have any questions, please feel free to contact us for assistance.

Mounting

If you wish, you may use the included hardware to mount your light bar. A number of fasteners are included, and can be used as you see fit. The most common mounting style is shown below. Stage Series Light Bars are also compatible with most standard mounting brackets on the market. Reference the dimensions on opposite side to determine the best mounting solution for your application.



Dimensions

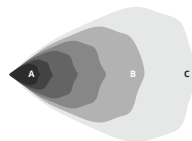


Output

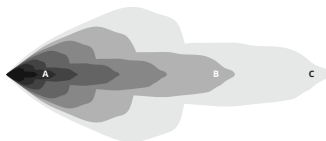
Driving



Flood



Combo



- A - lux at 10 meters
- B - Distance (m) with 1 lux
- C - Distance (m) with .25 lux

SS ₃₀ 30" Light Bar		A	B	C		
Lens Color/Optics	cd*	Illuminance (lx)			Measured Output	Output Color
White Driving	275,000	2,750	524	1,050	7,000 lumens	6000K White
White Flood	10,000	100	100	200	7,000 lumens	6000K White
White Combo	217,000	1,690	466	930	7,000 lumens	6000K White
Amber Driving	165,000	1,650	406	810	4,000 lumens	2000K Amber
Amber Flood	6,000	60	77	150	4,000 lumens	2000K Amber
Amber Combo	113,800	1,014	337	670	4,000 lumens	2000K Amber

* PEAK BEAM INTENSITY

Please contact **Diode Dynamics** should you have any questions about the installation or wiring process, at **314-205-3033** (9a-5p CST) or **contact@diodedynamics.com**.

This installation guide is for the following SKU:

DD5018 SS30 White Driving Light Bar
DD5032 SS30 White Combo Light Bar
DD6036 SS30 White Flood Light Bar

DD5040 SS30 Amber Driving Light Bar
DD5054 SS30 Amber Combo Light Bar
DD6044 SS30 Amber Flood Light Bar

