

4

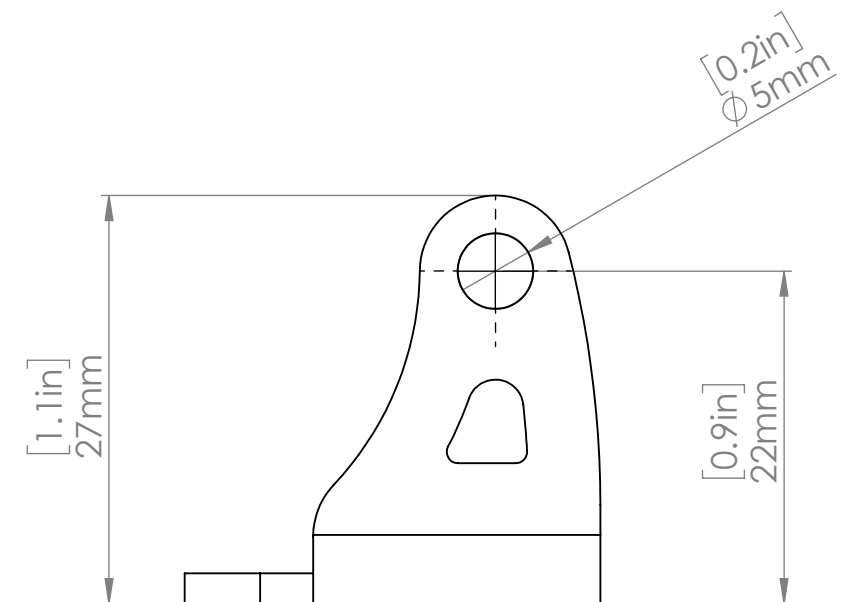
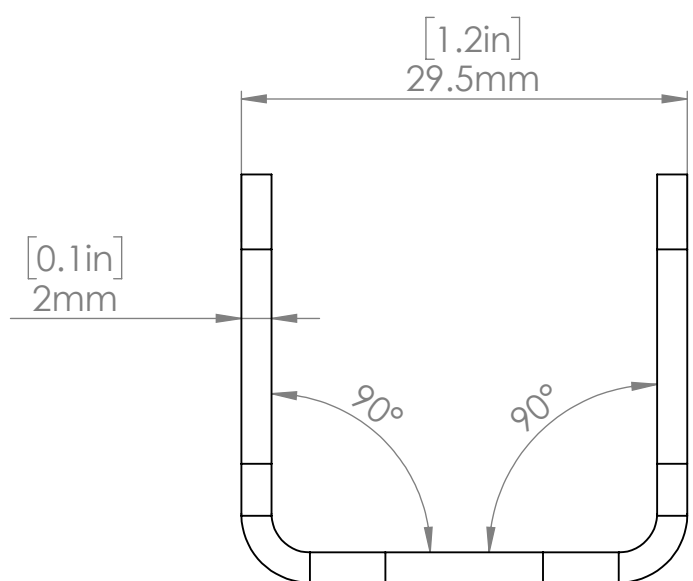
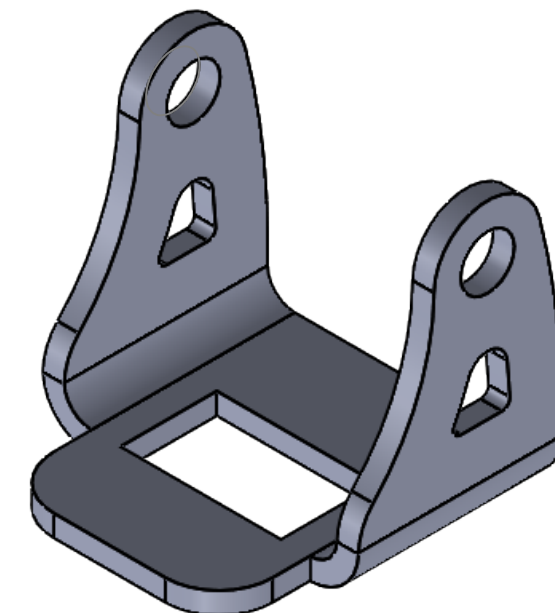
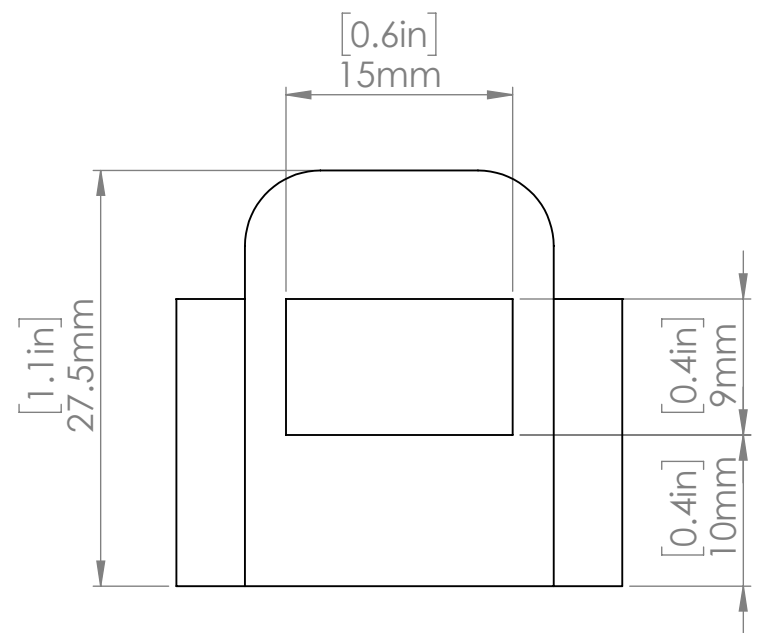
3

2

1

B

B



A

A

<p>PROPRIETARY AND CONFIDENTIAL</p> <p>THE INFORMATION CONTAINED IN THIS DRAWING IS THE SOLE PROPERTY OF DIODE DYNAMICS, LLC. ANY REPRODUCTION IN PART OR AS A WHOLE WITHOUT THE WRITTEN PERMISSION OF DIODE DYNAMICS, LLC. IS PROHIBITED.</p>	<p>UNLESS OTHERWISE SPECIFIED: DIMENSIONS ARE IN MILLIMETERS AND INCHES</p>	<p>DIODE DYNAMICS ENGINEERING</p>				
	<p>TOLERANCES: .xxx± .025 .xx± .05 .x± .1 ANG± 1</p>					<p>ENGINEER: Sai Tanikonda</p>
<p>THIRD ANGLE PROJECTION</p>	<p>MATERIAL: 18-8 STAINLESS STEEL 14GA.</p>	<p>REVIEWED: T. Kornblum</p>	<p>SIZE B</p>	<p>PROJ. ID 191201</p>	<p>DWG. NO. HM0104</p>	<p>REV A</p>
<p>DO NOT SCALE DRAWING</p>	<p>DATE: 08/25/2020</p>	<p>SCALE: 2:1</p>	<p>SHEET 1 OF 1</p>			

4

3

2

1