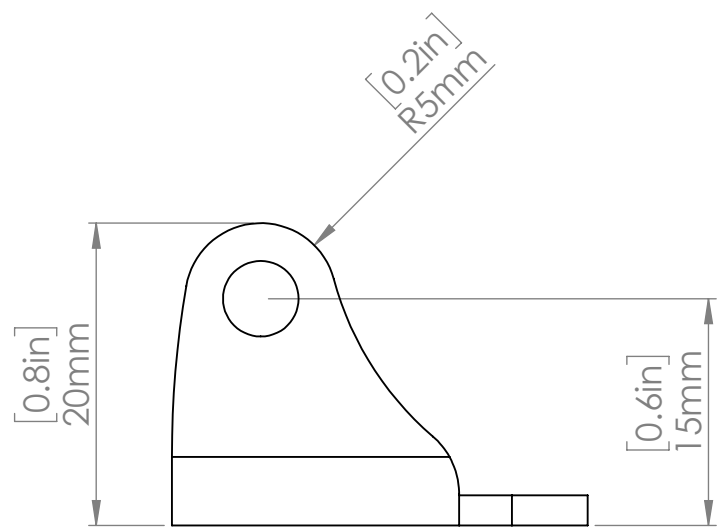
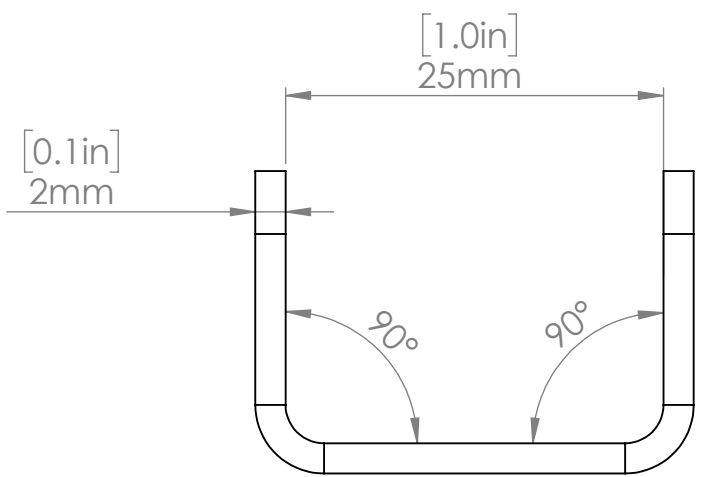
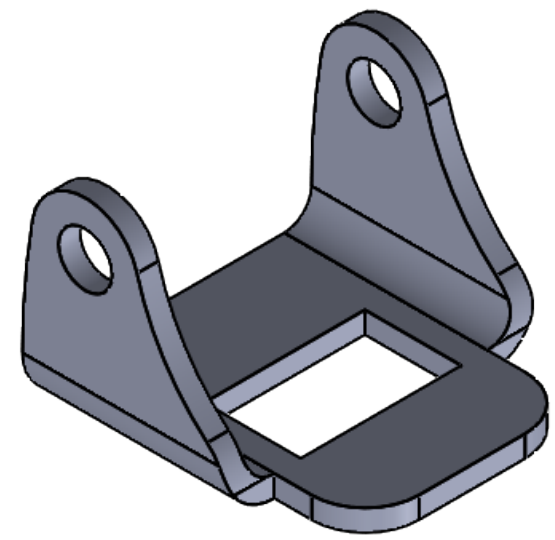
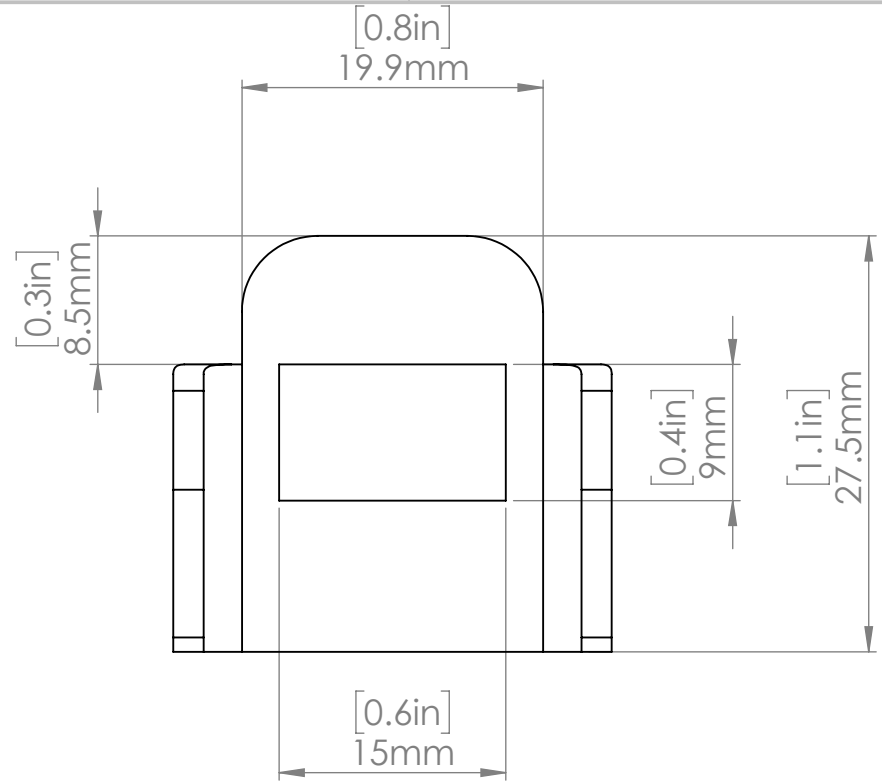


4

3

2

1



B

B

A

A

4

3

2

1

<b>PROPRIETARY AND CONFIDENTIAL</b>  THE INFORMATION CONTAINED IN THIS DRAWING IS THE SOLE PROPERTY OF Diode Dynamics, LLC. ANY REPRODUCTION IN PART OR AS A WHOLE WITHOUT THE WRITTEN PERMISSION OF Diode Dynamics, LLC. IS PROHIBITED.	UNLESS OTHERWISE SPECIFIED: DIMENSIONS ARE IN MILLIMETERS AND INCHES  TOLERANCES: .xxx± .025 .xx± .05 .x± .1 ANG± 1	<h1>DIODE DYNAMICS</h1> <h2>ENGINEERING</h2>				
	MATERIAL: 18-8 STAINLESS STEEL 14GA	ENGINEER: S. TANIKONDA	TITLE: SSC1 WORKLIGHT BRACKET (UNIVERSAL)			
THIRD ANGLE PROJECTION  	FINISH: BLACK POWDERCOAT CARDINAL C241-BK109	REVIEWED: T. KORNBLUM	SIZE B	PROJ. ID 200401	DWG. NO. HM0132	REV <b>A</b>
DO NOT SCALE DRAWING		DATE: 09/08/2020	SCALE: 2:1	SHEET 1 OF 1		