

# DIODE DYNAMICS

PERFORMANCE LIGHTING TECHNOLOGY

## 2016+ Toyota Tacoma RGBW™ DRL LED Board Installation Guide

Thank you for your purchase of this unique product for your Toyota Tacoma! With these modules, you will be able to convert your factory LEDs inside the headlight into full multicolor functionality. They are a direct replacement for the factory LED panels inside the light.



**Please note:** Headlights must be opened before proceeding with installation. Professional installation is strongly recommended. Please contact Diode Dynamics if you need assistance locating an installer.

### Tools Needed: Phillips Screwdriver



1. To begin, remove the lens from the headlamp. Next, disconnect the factory LED board by depressing on the white clip and pulling straight back. Set the back of the headlamp assembly aside.



2. Looking at the lens assembly, remove the three screws holding the LED board in place.



3. Remove the factory LED board and replace it with your new Diode Dynamics LED board using the same alignment points. Replace the three original screws.



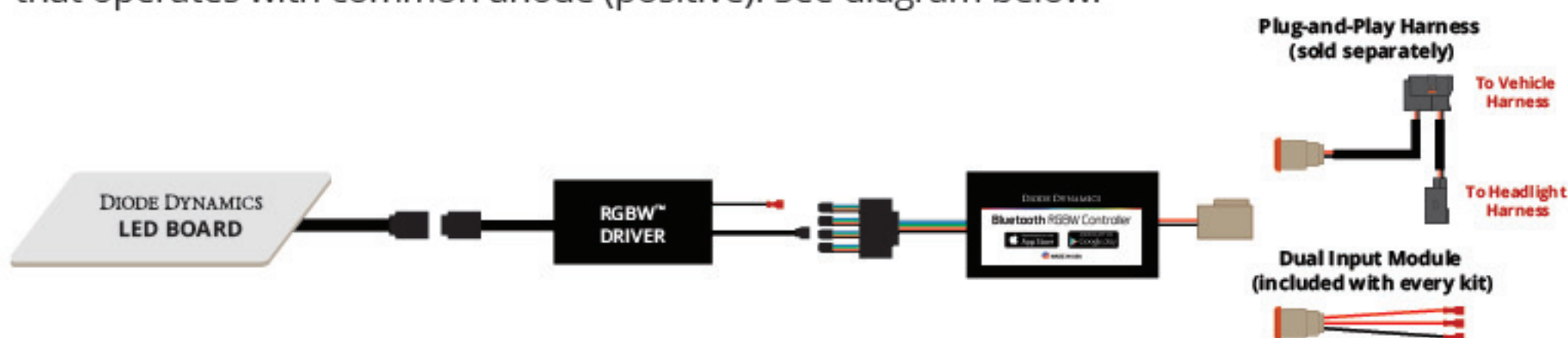
4. Run the wires through the dust cap in the headlamp, sealing any holes you may create. Once complete, replace the headlamp lens and repeat for other headlamp.

*See back for further instructions.*



## Wiring Instructions

5. Connect the LED board to the driver. Then connect the driver to the controller (sold separately). These modules can be used with any RGB or RGBW controller that operates with common anode (positive). See diagram below.

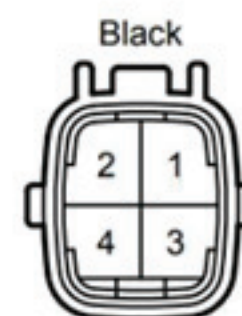


**IMPORTANT: DO NOT plug the LED panel directly into controller without the driver. The LEDs must be plugged into driver first to control the power.**

6. If you purchased the optional plug-and-play harness, connect it inline between the vehicle harness and your headlight harness. Then connect the deutsch connector to your controller. The dual input module won't be used.

If you didn't purchase the plug-and-play harness, connect your controller to 12V and ground using the dual input module, dictating when the LEDs will be turned on. In the table below, we have listed the suggested wires to tap. You may alternatively connect your controller straight to the battery.

DD WIRE	PIN	HARNESS LOCATION	DRIVER WIRE	PASSENGER WIRE
RED	PIN 1 - DRL	HEADLIGHT	GREEN	GREEN
RED	PIN 2 - PARKING	HEADLIGHT	RED	BLUE
BLACK x2	PIN 3 - GROUND	HEADLIGHT	WHITE/BLACK	WHITE/BLACK



H16 Headlight Connector

7. Mount drivers and controller, and tuck all wires. **Drivers should be mounted outside of headlight for serviceability, in a location away from the engine block to avoid excessive heat buildup.**

8. Test thoroughly, reseal headlight and reinstall onto vehicle.

### NEED MORE HELP?

Scan the QR code to link to our installation video online!

We've taken the time to test our products on your vehicle. We can guarantee compatibility and fitment the first time – no guessing game! If you need more help with installation, watch our step-by-step video to walk you through the process.

YouTube



This installation guide is for the following SKUs:

DD2285 Tacoma 2016 Pro-Series RGBW DRL Boards