

Thank you for your purchase of our new Stage Series Fog Pocket Kit. CAD-designed to use existing mounting points, this kit is compatible with the 2021+ Ford Bronco with the modular steel bumper. Installation instructions are included below. **Please contact us if you have any questions.**

**Tools Needed:** T40 torx bit and ratchet, 10mm socket, and wire strippers

1. Starting on either side of the vehicle, remove the three factory bolts on the bottom side of the bumper using a T40 torx bit and ratchet. These bolts will be reused.

2. Install your new Stage Series fog pocket bracket onto the vehicle using the three original bolts and a T40 torx bit and ratchet.

**NOTE:** Each bracket is labeled with an "L" for left or driver's side and an "R" for right or passenger's side.

3. Once the bracket is mounted to the bumper, mount your pods onto the bracket.

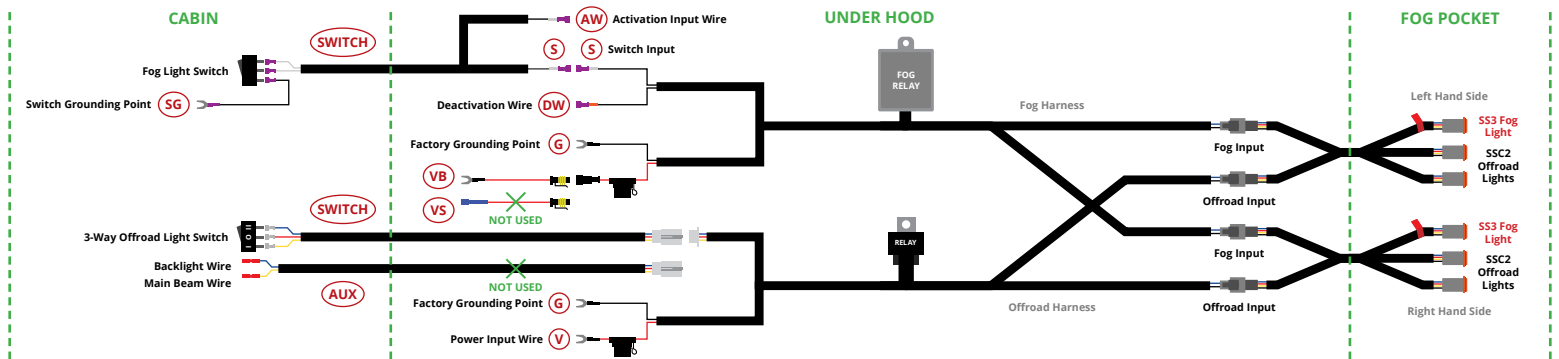
**NOTE:** If you are mounting Stage Series lights to the bracket, the inboard mounting position is designed to mount an SS3 pod. The outer two positions are designed to mount either SSC2 or SSC1 pods.

4. Repeat the steps on the other side of the vehicle to mount the other bracket.

### Wiring Instructions

This kit provides three lighting functions: road-legal fog lights, an ambient backlight illumination, and bright off-road lighting. Using the included wiring harnesses, you can switch between these functions with ease. The fog lights are designed to work in the same way as a factory-installed fog light. The fog lights will turn on automatically any time the headlights are turned on, and the fog light switch is in the on position. The off-road lights and backlight feature are controlled manually with the included 3-way toggle switch, or your factory auxiliary switches. When routing harnesses, avoid areas that may be subject to heat buildup or moving parts. We recommend following the path of original manufacturer wiring harnesses.

#### METHOD ONE - Add New Switches to Vehicle



1. Route wiring harnesses to general locations as needed. Place the Fog Relay and Off-Road Relay near the fuse box, under your hood. Run an output wire for each harness to the fog pocket on each side of the vehicle, so you have a Fog Output and Off-Road Output on each side. Route the Switch wires into the vehicle cabin, on the driver's side.

2. For each relay, connect positive (V) (VB) and negative (G) battery wires to the battery, or to the main power terminals near the fuse box.

3. Connect the Fog Activation Input Wire to your preferred activation signal. (AW) Any time this activation signal is powered and the fog light switch is in the On state, the fog lights will be turned on. We recommend tapping the sidemarker or low beam signal, so your fog lights can automatically turn on and back off with your parking lights or low beams.

4. Connect the Switch Input wire to the Fog Relay. (S)

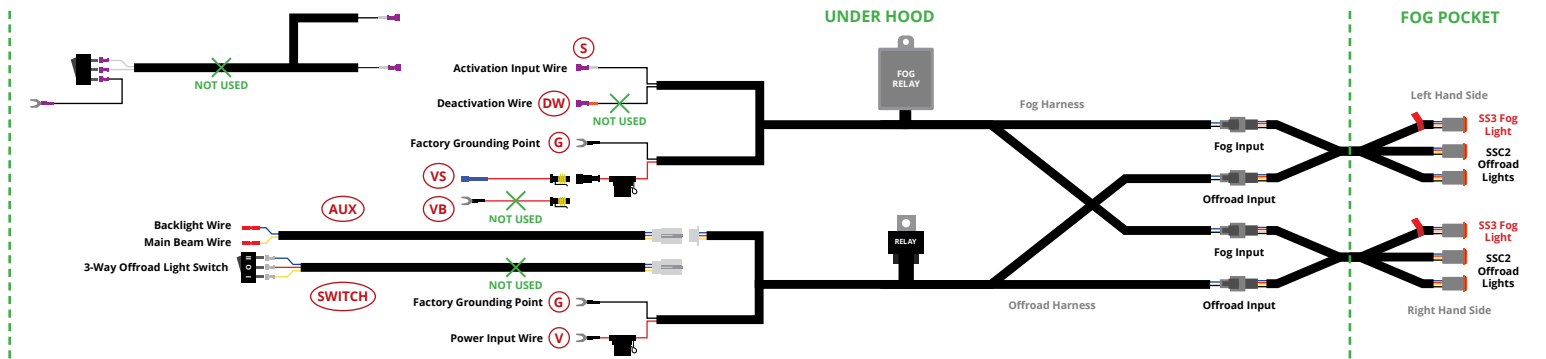
5. Inside the cabin, connect the switch wires to each switch, aligning wire colors as shown. (SWITCH) Provide ground to the fog light switch using the included grounding wire. (SG) Identify mounting points for each switch in an unused area of the dash, and mount in place.

6. Connect output wires to the splitter on each side of the vehicle.

7. Connect the splitter to each pod. Make sure to connect the Fog Light output, marked with a red flag, to the SS3 Fog Light pod.

8. Secure all wiring, and test for function.

**See back for method two and aiming instructions.**



If your vehicle came with factory upfitter/auxiliary switches, you may wish to use those switches, rather than installing new ones.

A. Controlling Fog Lights with Upfitter Switch

1. Follow instructions for method one, but DO NOT run switch wires into vehicle cabin.
2. Unplug the Battery Input Wire (VB) from the Fog Relay, and replace it with the Power Input Wire. (VS)
3. Using a standard crimp tool, connect the Power Input Wire to an OEM Auxiliary Switch wire on your vehicle. Ensure the wire selected can provide adequate current for the operation of your model of SS3 pods - reference vehicle manual.
4. The Activation Input Wire should be connected to your parking light or headlamp circuit, as described in Method One instruction. (S) Now, your fog lights will activate any time the activation circuit is powered, and your upfitter switch is in the On position.

B. Controlling Off-Road and Ambient Backlights with Upfitter Switches

1. Follow instructions for method one, but DO NOT run switch wires into vehicle cabin.
2. Disconnect the 3-way switch adapter (SWITCH) and replace it with the OEM auxiliary switch adapter. (AUX)
3. Connect the yellow wire to an Upfitter Switch wire to control the main off-road lighting. Connect the blue wire to an Upfitter Switch wire to control the ambient backlight. **NOTE:** Power will still be drawn from the battery for the Off-Road harness, so any upfitter switch wire can be used.

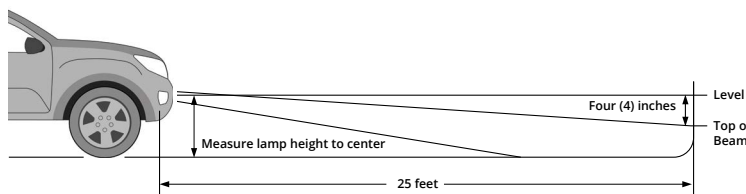
1. Connect output wires to the splitter on each side of the vehicle.
2. Connect the splitter to each pod. Make sure to connect the Fog Light output, marked with a red flag, to the SS3 Fog Light pod.
3. Secure all wiring, and test for function.

Functional Notes

1. The fog light activation wire should be connected to an appropriate signal to enable the activation of fog lights. Check local laws and regulations. Do not connect directly to constant 12V power or to an ignition power source - this will allow the fog lights to be switched on manually at any time, or switched on any time the vehicle is running.
2. When the off-road lighting is activated, all three lights (including fog lights) will illuminate. To remove the fog light from the off-road group, you can modify the splitter harness, disconnecting the integrated diode that can be found inside the harness.
3. The deactivation wire of the fog light harness can be used to disable the fog lights when 12V is applied.

Fog Light Aiming Instructions

1. Park your vehicle 25 feet away from a wall or garage door on a level surface.
2. Loosen the 5/32" allen bolts on each side of your SS3 pods, just enough to allow you to adjust the pods.
3. On your vehicle, measure the distance between the ground and the center of your SS3 pods. This is your mounting height.
4. Mark the mounting height on the wall or garage door using tape.
5. Add another piece of tape four inches below the mounting height. This is your fog light cutoff line.
6. Aim your SS3 pods on each side, so that the top of the beam pattern is on the cutoff line mark.



7. Tighten the 5/32" allen bolts back down to complete the installation. Do not overtighten or use power tools to torque them down.

This installation guide is for the following SKUs:

DD7178 Bronco 2021 Fog Pocket Kit Sport White  
DD7179 Bronco 2021 Fog Pocket Kit Sport Yellow

DD7180 Bronco 2021 Fog Pocket Kit Pro White  
DD7181 Bronco 2021 Fog Pocket Kit Pro Yellow

DD7182 Bronco 2021 Fog Pocket Kit Max White  
DD7183 Bronco 2021 Fog Pocket Kit Max Yellow