

3156/3157 XPR White LED Bulb

DD0378S (Single) & DD0378P (Pair)

DIODE DYNAMICS

PERFORMANCE LIGHTING TECHNOLOGY



FEATURES



- Direct replacement for factory-installed 3156/3157-size incandescent bulbs
- Brightest self-contained bulb on the market!
- Built-in resistor for error-free operation
- Plug and play, simple installation
- 800 lumens per bulb

GENERAL SPECIFICATIONS

Function	Voltage Range	Current Draw*	Wattage	CCT/ Wavelength**	Lumen Output
Initial Output	9-16V	1.8A	23W	6000K	3000 lm
Steady-State Output	9-16V	335 mA	4.4W	6000K	800 lm

*Current Draw @13.2v **+/-500 Tolerance

Color: White

Connector Type: 3156/3157 Base Connector

LED Type/Count: 3030 LED White / 40 Total

Operating Temperature: -40°C to 85°C

Compliance Rating: J575 Durability Test

Length: 4.5" **Width:** 2.75" **Height:** .5"

Weight: 1.2oz

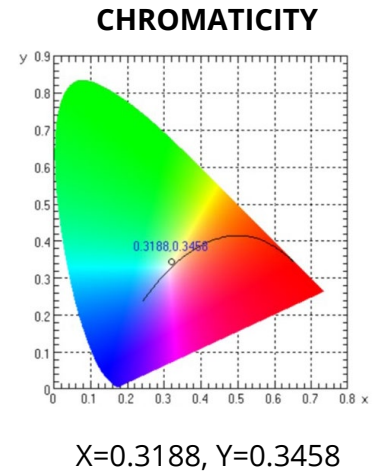
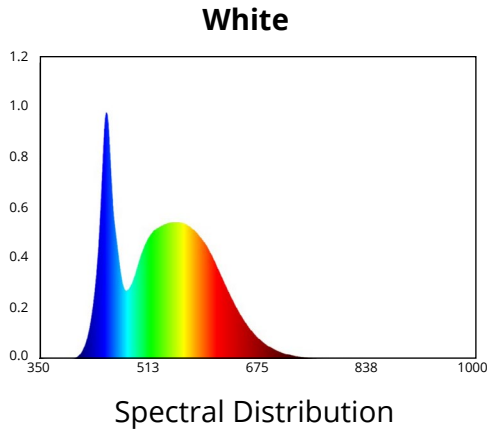
What's Included:

- One (1) or Two (2) 3156/3157 XPR LED Bulb(s)

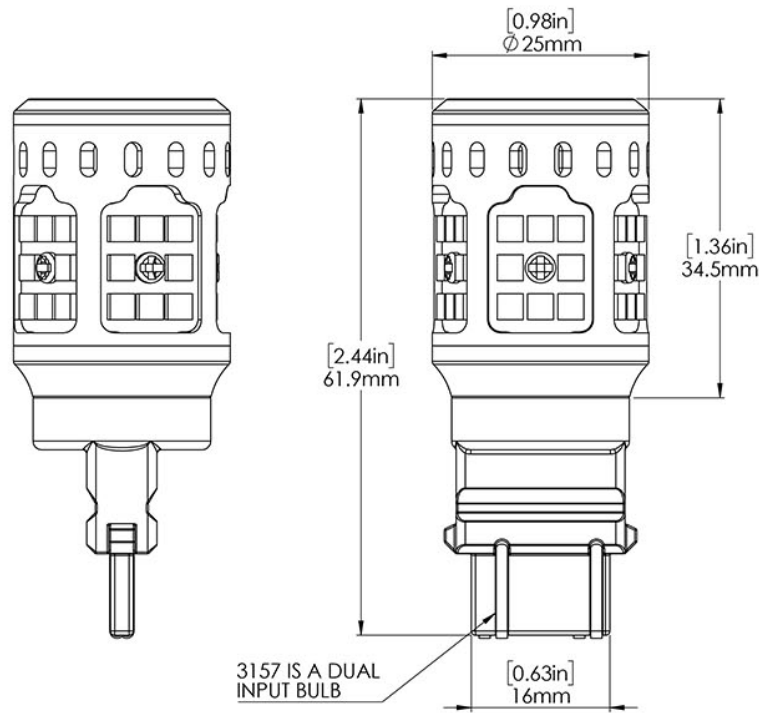
All data and specifications are nominal values and may vary.

PUBLISHED: 2-18-2021

COLORIMETRIC SPECIFICATIONS



PRODUCT DIMENSIONS



PUBLISHED: 2-18-2021