

## FEATURES

STAGE  
SERIES



- Allows for flush installation with truck bumpers, truck beds, and anywhere else you can think of
- High intensity LED chip
- Backlighting available in amber
- Durable powdercoated aluminum construction
- Integrated Deutsch-style connector

## GENERAL SPECIFICATIONS

Optic	Peak Beam Intensity (Candela)	Illuminance (lux @10m)	Measured Output (Lumens)	Raw Output (Lumens)	Output Color
Flood	380 cd	4 lux	1,000 lm	1,305 lm	Selective Yellow

**Functions:** Yellow Output with Amber Backlight

**Voltage Range:** 9-16V

**Current Draw (amps @ 12.8V):** 1.1A (output), 25mA (backlight)

**Wattage:** 14W (output), 0.3W (backlight)

**Connector Type:** 4 Pin DT Connector

**Driver Type:** Integrated Driver

**LED Type/Count:** Cree XPL 4000K/1 total, 3014/3 total

**Compliance Rating:** J575 Durability Test

**Intrusion Rating:** IP67 Weatherproof

**Operating Temperature:** -40°C to 85°C

### What's Included:

- One (1) or Two (2) SSC1 Flush LED Pods
- One (1) or Two (2) Deutsch-style wire pigtails
- One (1) or Two (2) Flush Frame gaskets
- Mounting hardware and drilling template

### Dimensions & Weight:

**Length:** 7.5" **Width:** 4.5" **Height:** 3"

**Weight:** 0.7 lbs (single), 1.2 lbs (pair)

SKUs: Append "S" to the end of each SKU for single and "P" for pair

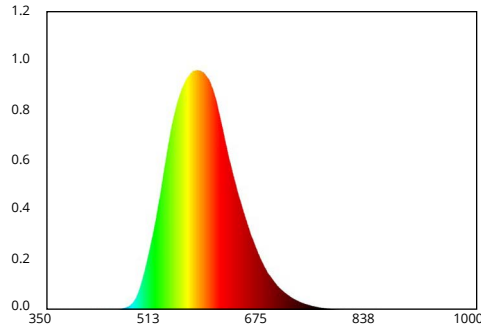
DD6473 SSC1 Sport Yellow Flood Flush ABL

All data and specifications are nominal values and may vary.

PUBLISHED: 1-10-2022

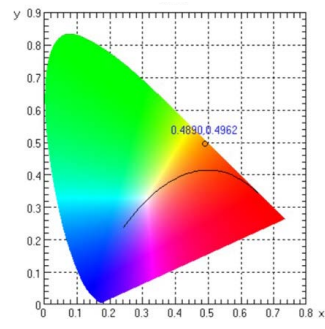
## COLORIMETRIC SPECIFICATIONS

**YELLOW MAIN BEAM**



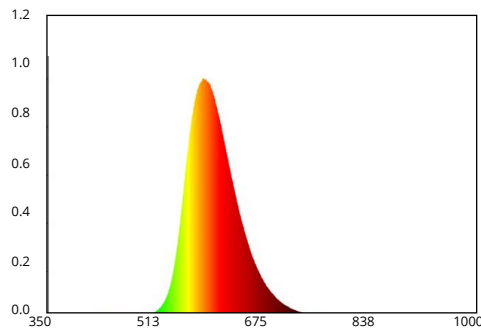
Spectral Distribution

**CHROMATICITY**



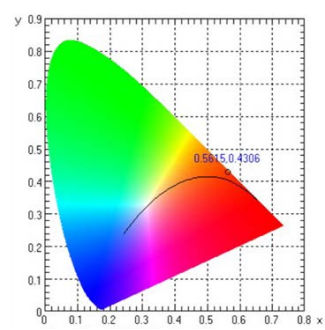
X=0.4890, Y=0.4962

**AMBER BACKLIGHT**



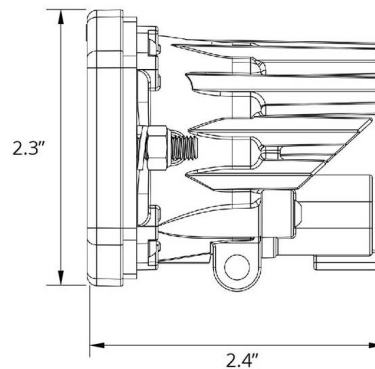
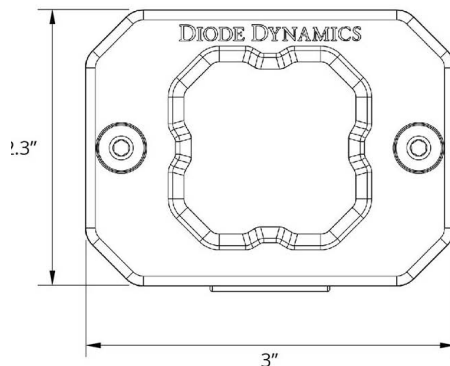
Spectral Distribution

**CHROMATICITY**



X=0.5615, Y=0.4306

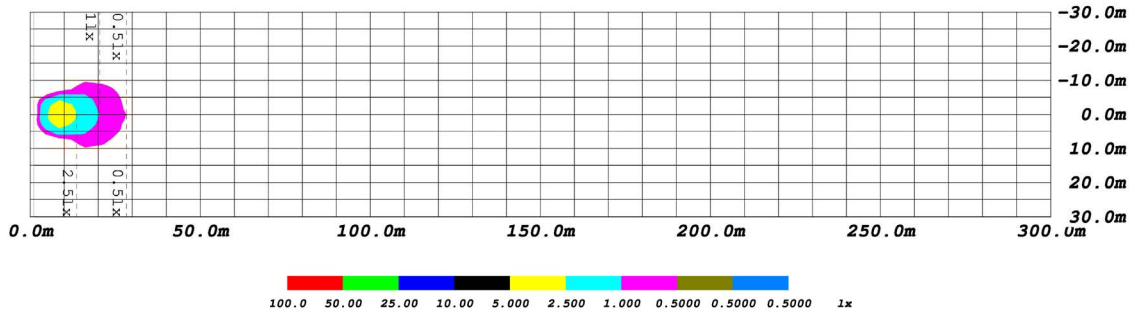
## PRODUCT DIMENSIONS



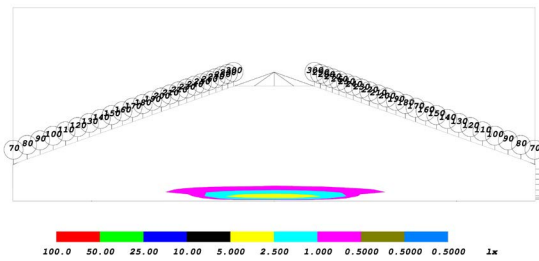
PUBLISHED: 1-10-2022

PHOTOMETRIC SPECIFICATIONS

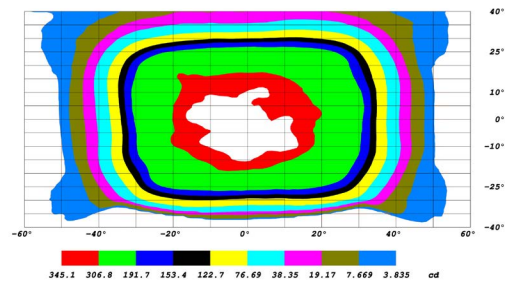
Flood Optic Isolux



Flood Optic Perspective



Flood Optic Isocandela



PUBLISHED: 1-10-2022