

Stage Series 3" Sport Yellow Angled LED Pod



FEATURES



- Advanced TIR optics provide high efficiency and focus
- High-intensity automotive-type LEDs
- Pin-fin heatsink design, for superior thermal dissipation
- Integrated Deutsch-style connector
- Durable powdercoated aluminum construction
- Designed, torture tested and assembled in USA

GENERAL SPECIFICATIONS

Optic	Peak Beam Intensity (Candela)	Illuminance (lux @10m)	Measured Output (Lumens)	Raw Output (Lumens)	Output Color
Driving	53,500 cd	535 lux	1,300 lm	1,930 lm	Selective Yellow
Fog	9,050 cd	91 lux	1,300 lm	1,930 lm	Selective Yellow

Functions: Yellow Output

Voltage Range: 9-16V

Current Draw (amps @ 12.8V): 1.1A

Wattage: 14.5W

Connector Type: Deutsch DT Connector

Driver Type: Integrated Driver

LED Type/Count: Luxeon Z ES/4 total

Compliance Rating: J575 Durability Test, SAE-F J583

Intrusion Rating: IP69K Waterproof, High Pressure

Operating Temperature: -40°C to 85°C

What's Included:

- One (1) or Two (2) Stage Series 3" LED Pods
- One (1) or Two (2) Deutsch-style wire pigtails
- One (1) or Two (2) Mounting brackets and hardware

Dimensions & Weight:

Length: 14.5" **Width:** 10" **Height:** 5"

Weight: 2.5 lbs (single), 3.5 lbs (pair)

SKUs: Append "S" to the end of each SKU for single and "P" for pair

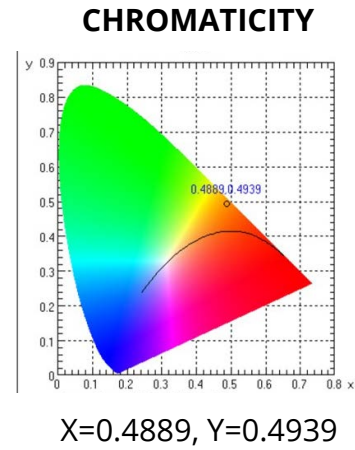
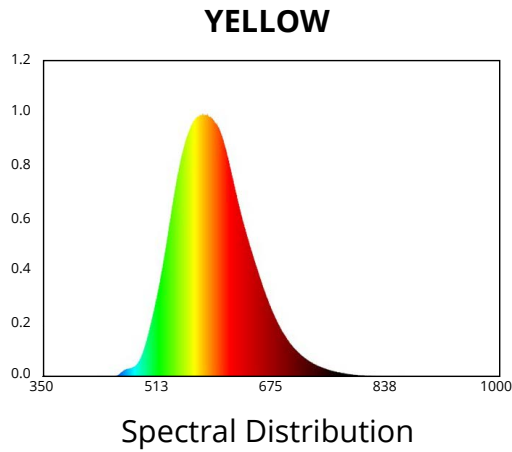
DD6158 Stage Series 3" Sport Yellow Driving Angled

DD6161 Stage Series 3" Sport Yellow Fog Angled

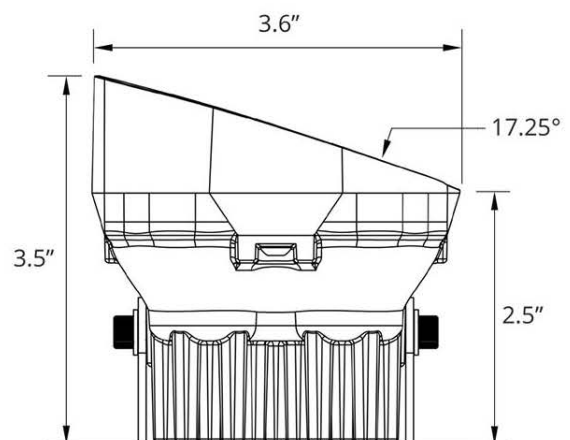
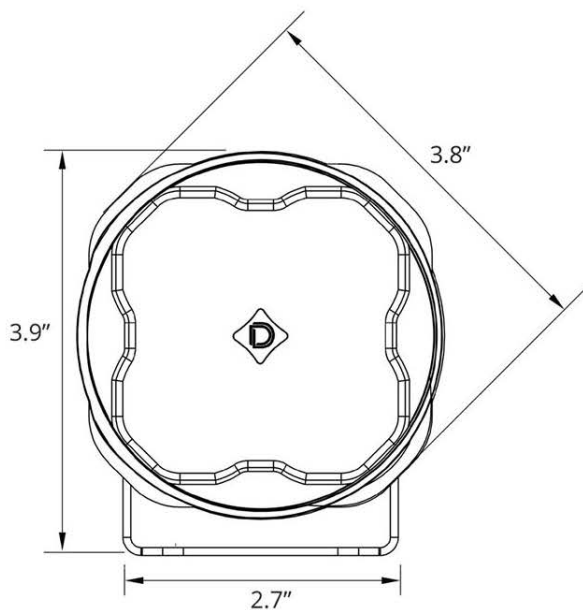
All data and specifications are nominal values and may vary.

PUBLISHED: 2-24-2021

COLORIMETRIC SPECIFICATIONS



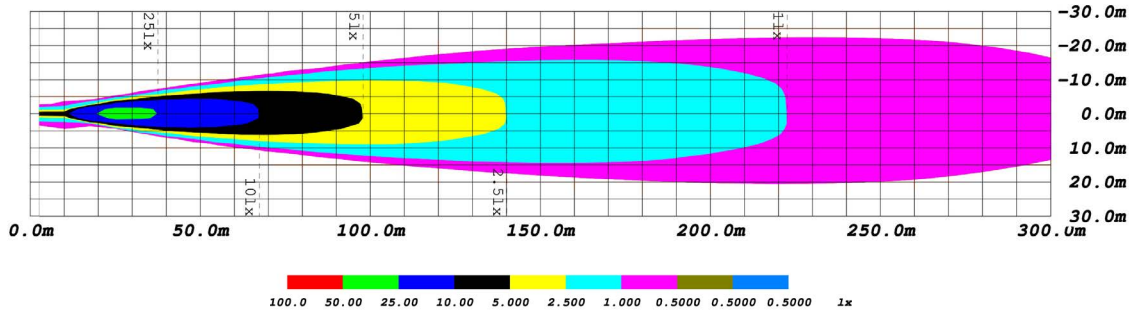
PRODUCT DIMENSIONS



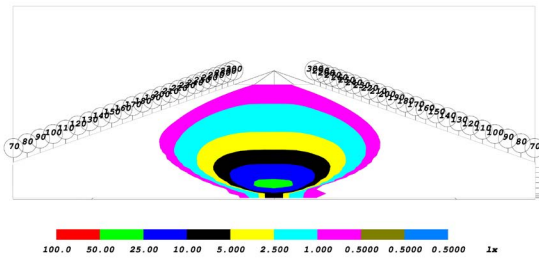
PUBLISHED: 2-24-2021

PHOTOMETRIC SPECIFICATIONS

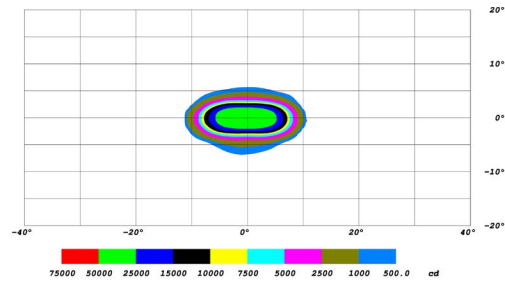
Driving Optic Isolux



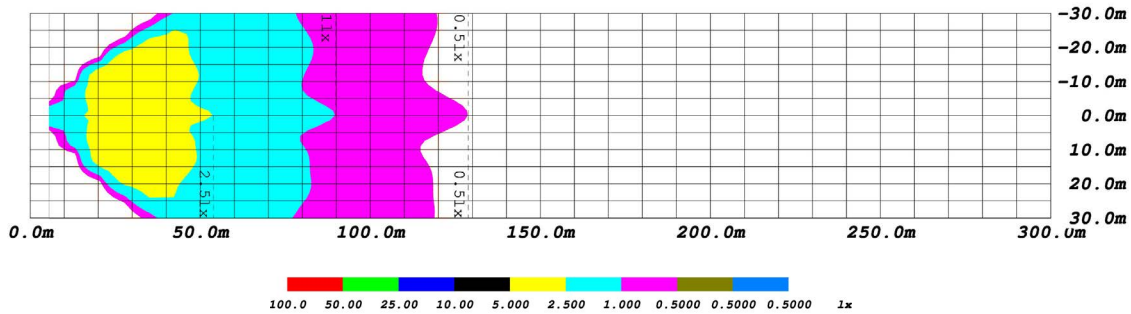
Driving Optic Perspective



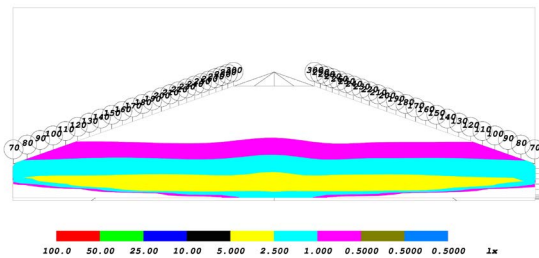
Driving Optic Isocandela



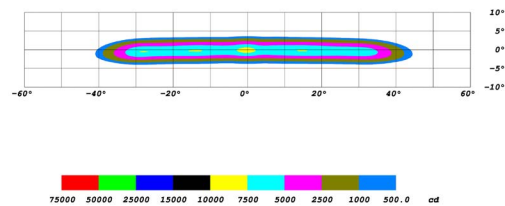
Fog Optic Isolux



Fog Optic Perspective



Fog Optic Isocandela



PUBLISHED: 2-24-2021