

Stage Series 3" Pro Yellow Angled LED Pod



FEATURES



- Advanced TIR optics provide high efficiency and focus
- High-intensity automotive-type LEDs
- Pin-fin heatsink design, for superior thermal dissipation
- Integrated Deutsch-style connector
- Durable powdercoated aluminum construction
- Designed, torture tested and assembled in USA

GENERAL SPECIFICATIONS

Optic	Peak Beam Intensity (Candela)	Illuminance (lux @10m)	Measured Output (Lumens)	Raw Output (Lumens)	Output Color
Driving	60,900 cd	609 lux	2,700 lm	5,220 lm	Selective Yellow
Fog	10,900 cd	109 lux	2,700 lm	5,220 lm	Selective Yellow

Functions: Yellow Output

Voltage Range: 9-16V

Current Draw (amps @ 12.8V): 2.7A

Wattage: 36W

Connector Type: Deutsch DT Connector

Driver Type: Integrated Driver

LED Type/Count: Cree XP-L HI/4 total

Compliance Rating: J575 Durability Test, SAE-F J583

Intrusion Rating: IP69K Waterproof, High Pressure

Operating Temperature: -40°C to 85°C

What's Included:

- One (1) or Two (2) Stage Series 3" LED Pods
- One (1) or Two (2) Deutsch-style wire pigtails
- One (1) or Two (2) Mounting brackets and hardware

Dimensions & Weight:

Length: 14.5" **Width:** 10" **Height:** 5"

Weight: 2.5 lbs (single), 3.5 lbs (pair)

SKUs: Append "S" to the end of each SKU for single and "P" for pair

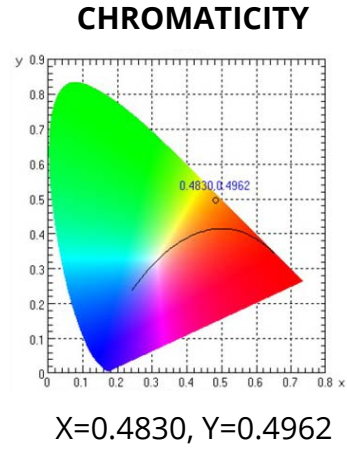
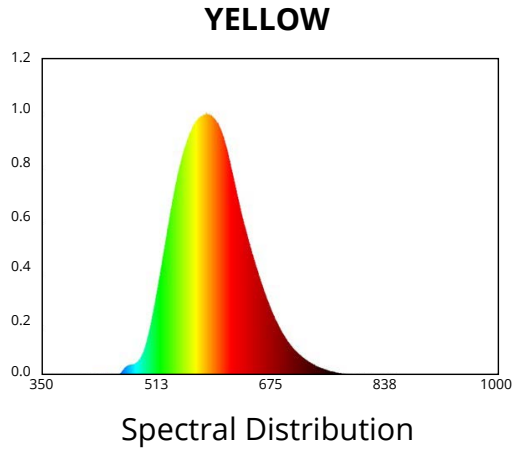
DD6170 Stage Series 3" Pro Yellow Driving Angled

DD6173 Stage Series 3" Pro Yellow Fog Angled

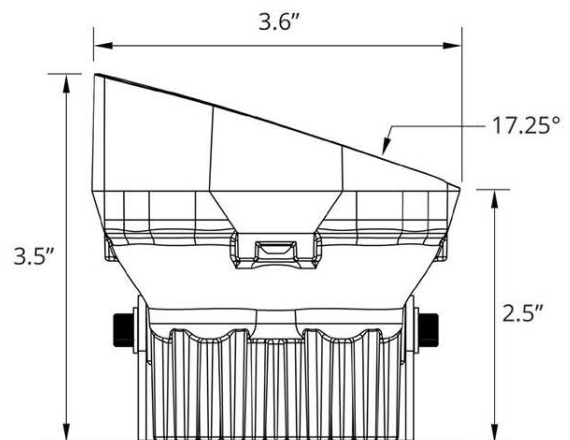
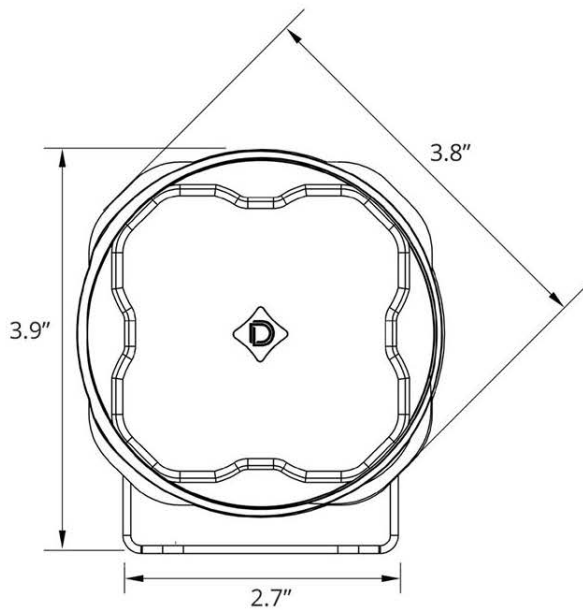
All data and specifications are nominal values and may vary.

PUBLISHED: 2-24-2021

COLORIMETRIC SPECIFICATIONS



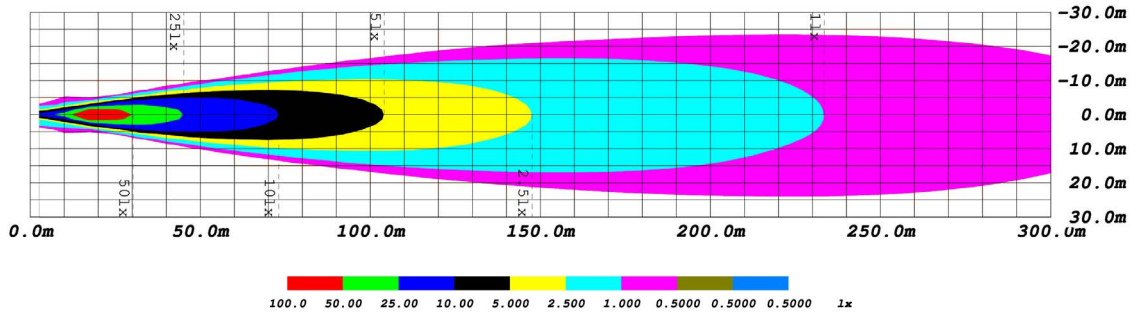
PRODUCT DIMENSIONS



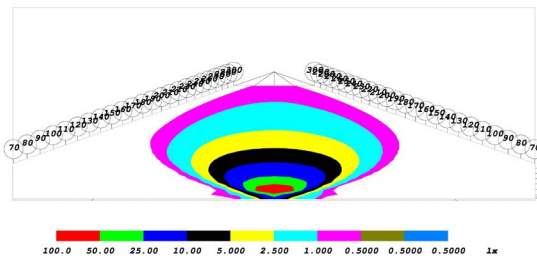
PUBLISHED: 2-24-2021

PHOTOMETRIC SPECIFICATIONS

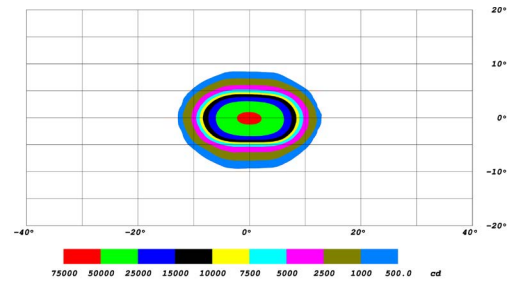
Driving Optic Isolux



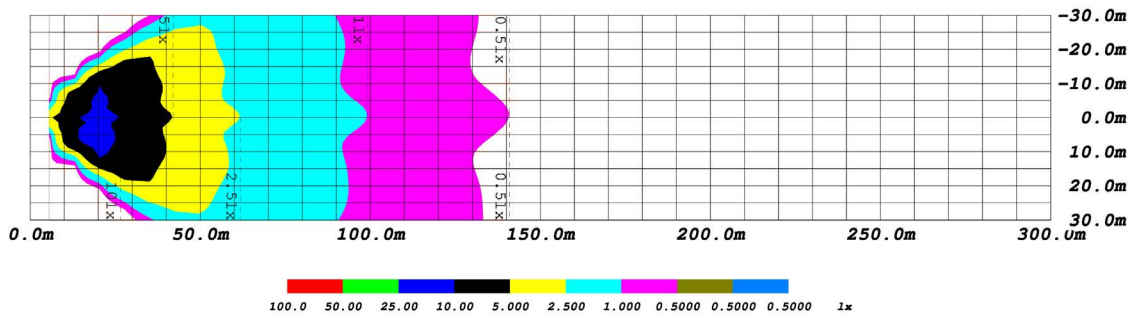
Driving Optic Perspective



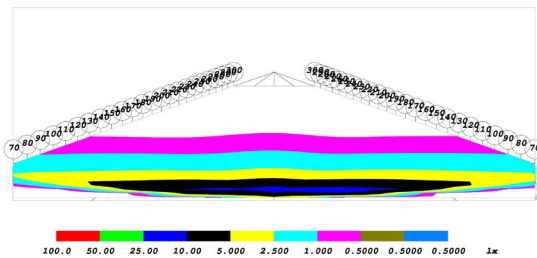
Driving Optic Isocandela



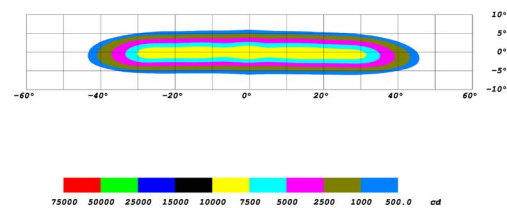
Fog Optic Isolux



Fog Optic Perspective



Fog Optic Isocandela



PUBLISHED: 2-24-2021