

# Stage Series 3" Max Yellow Round LED Pod



## FEATURES

- Maximum output and performance, in a compact 3" package
- Four automotive-grade Osram Boost HX 20-watt LEDs
- Pin-fin heatsink design, for superior thermal dissipation
- Integrated Deutsch-style connector
- Durable powdercoated aluminum construction
- Designed, torture tested and assembled in USA

## GENERAL SPECIFICATIONS

Optic	Peak Beam Intensity (Candela)	Illuminance (lux @10m)	Measured Output (Lumens)	Raw Output (Lumens)	Output Color
Fog	12,500 cd	125 lux	3,500 lm	7,920 lm	Selective Yellow

**Functions:** Yellow Output

**Voltage Range:** 9-16V

**Current Draw (amps @ 12.8V):** 3A

**Wattage:** 38.5W

**Connector Type:** Deutsch DT Connector

**Driver Type:** Integrated Driver

**LED Type/Count:** Osram Boost HX/4 total

**Compliance Rating:** J575 Durability Test, SAE-F J583

**Intrusion Rating:** IP69K Waterproof, High Pressure

**Operating Temperature:** -40°C to 85°C

### What's Included:

- One (1) or Two (2) Stage Series 3" LED Pods
- One (1) or Two (2) Deutsch-style wire pigtails
- One (1) or Two (2) Mounting brackets and hardware

### Dimensions & Weight:

**Length:** 14.5" **Width:** 10" **Height:** 5"

**Weight:** 2.5 lbs (single), 3.5 lbs (pair)

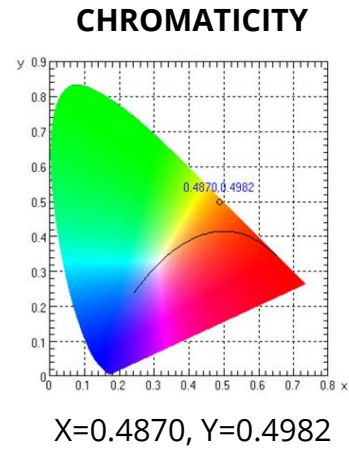
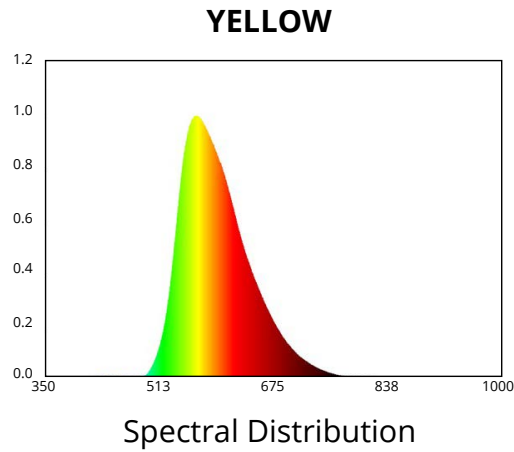
SKUs: Append "S" to the end of each SKU for single and "P" for pair

DD6495 Stage Series 3" Max Yellow Fog Round

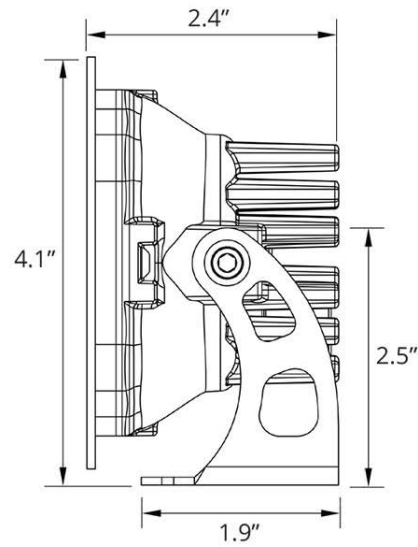
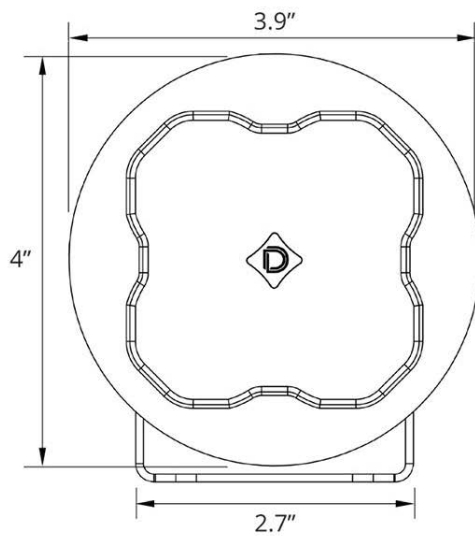
All data and specifications are nominal values and may vary.

PUBLISHED: 2-24-2021

## COLORIMETRIC SPECIFICATIONS



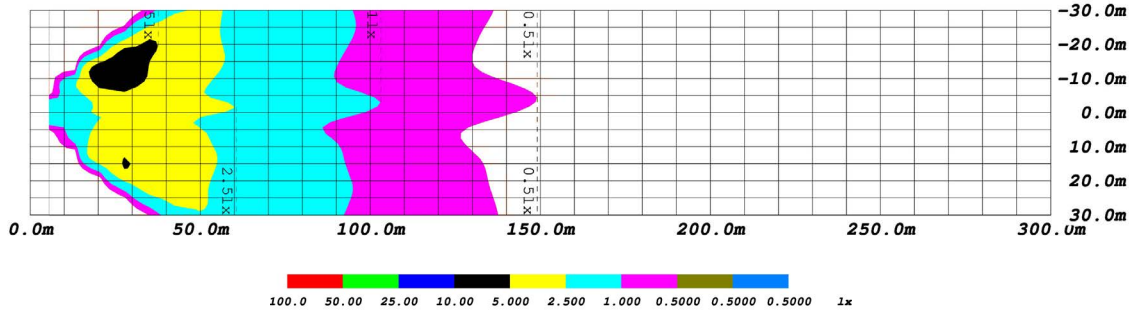
## PRODUCT DIMENSIONS



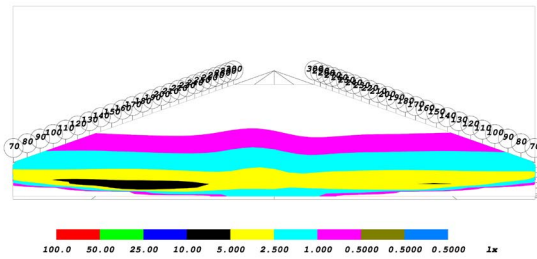
PUBLISHED: 2-24-2021

## PHOTOMETRIC SPECIFICATIONS

Fog Optic Isolux



Fog Optic Perspective



Fog Optic Isocandela

