

PH19W HP60 LED Bulb

DD0435S (Single) & DD0435P (Pair)



FEATURES



- Replaces your factory-installed incandescent bulb
- Low power consumption with extra long life
- Plug and play, simple installation
- High-power CSP LEDs for maximum brightness in a small package
- Correct filament location for focused light output

GENERAL SPECIFICATIONS

Function	Voltage Range	Current Draw*	Wattage	CCT/ Wavelength**	Lumen Output
Initial Output	9-16V	565 mA	7W	6000K	860 lm
Steady-State Output	9-16V	355 mA	4.5W	6300K	510 lm

*Current Draw @13.2v **+/-500 Tolerance

Color: Cool White

Connector Type: PH19W Base Connector

LED Type/Count: 5W CSP Chips / 6 Total

Operating Temperature: -40°C to 85°C

Compliance Rating: J575 Durability Test

Length: 9" **Width:** 7" **Height:** 1"

Weight: 0.15 lbs

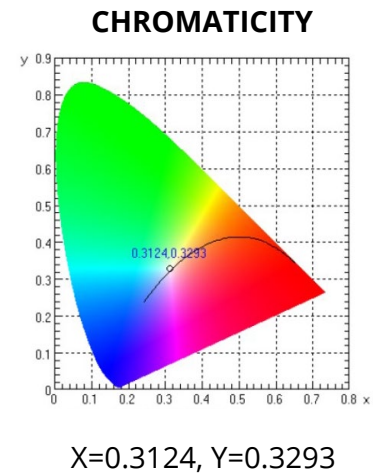
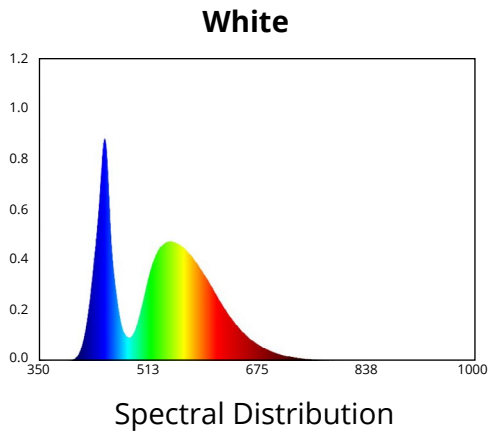
What's Included:

- One (1) or Two (2) PH19W HP60 LED Bulb(s)

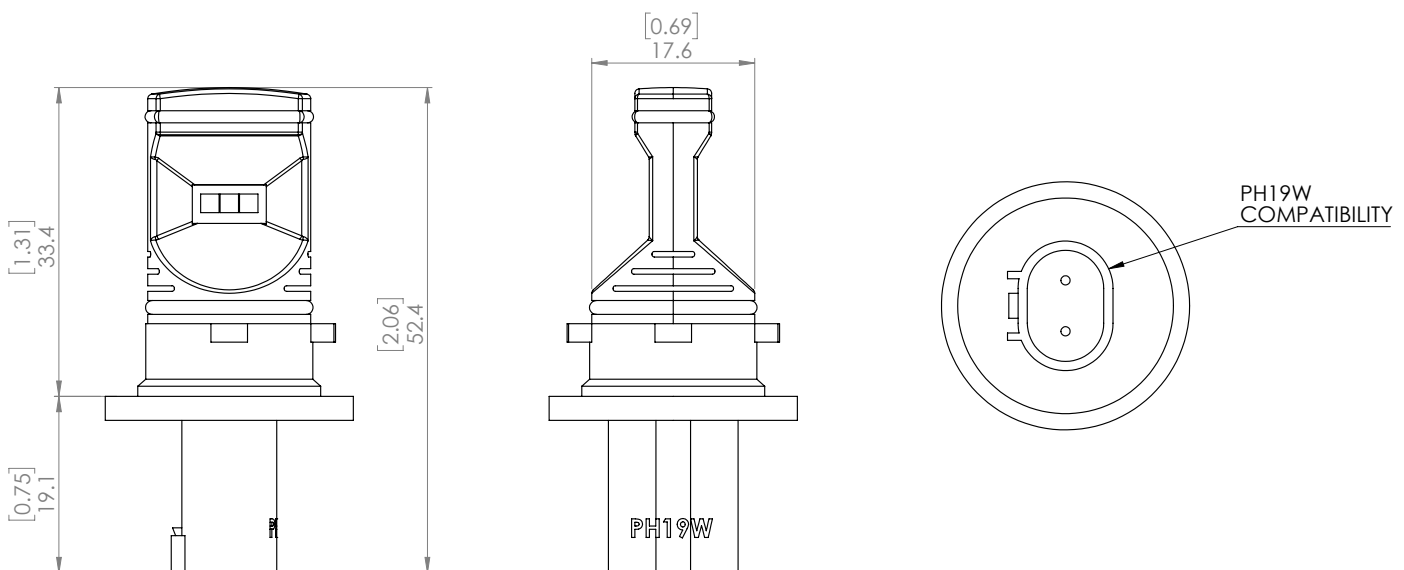
All data and specifications are nominal values and may vary.

PUBLISHED: 5-1-2020

COLORIMETRIC SPECIFICATIONS



PRODUCT DIMENSIONS



PUBLISHED: 5-1-2020